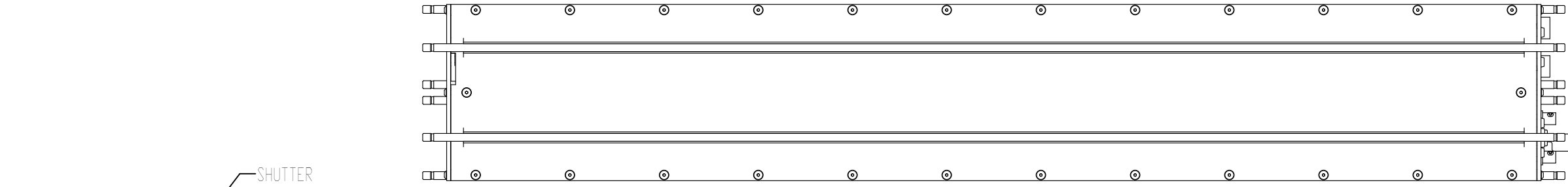
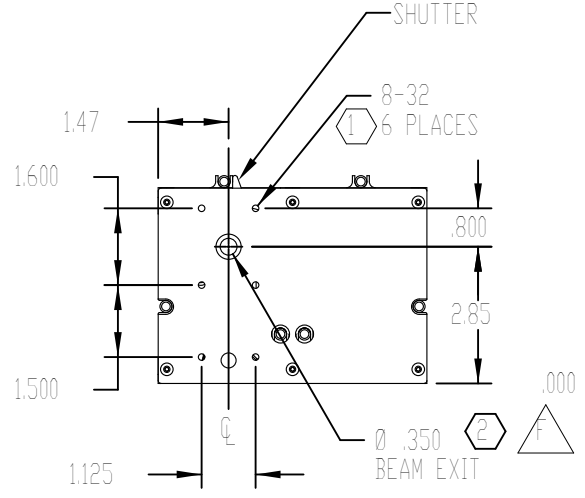


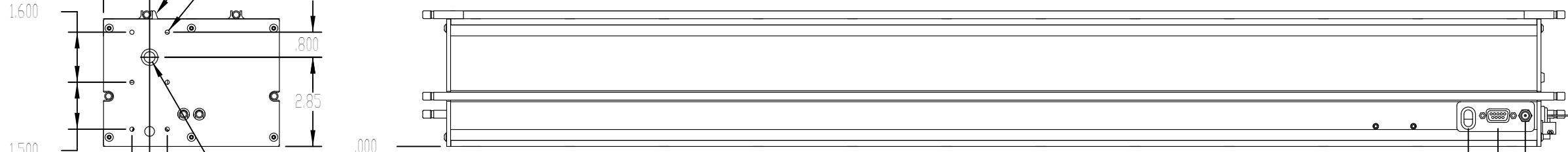
| REV | ECO | DATE | DESCRIPTION | DB |
|-----|------|----------|---|-----|
| E | 3912 | 6-Aug-08 | ADD BEAM EXIT Ø, UPDATE DIMS, CONV. TO SW | DMD |
| F | 4107 | 8-Sep-09 | ADD NOTE 2 | DMD |



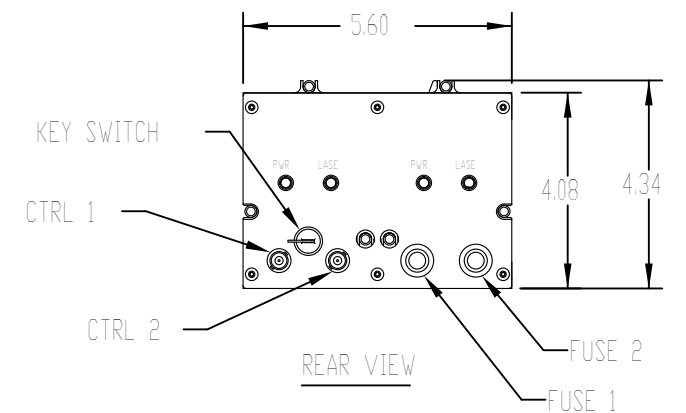
TOP VIEW



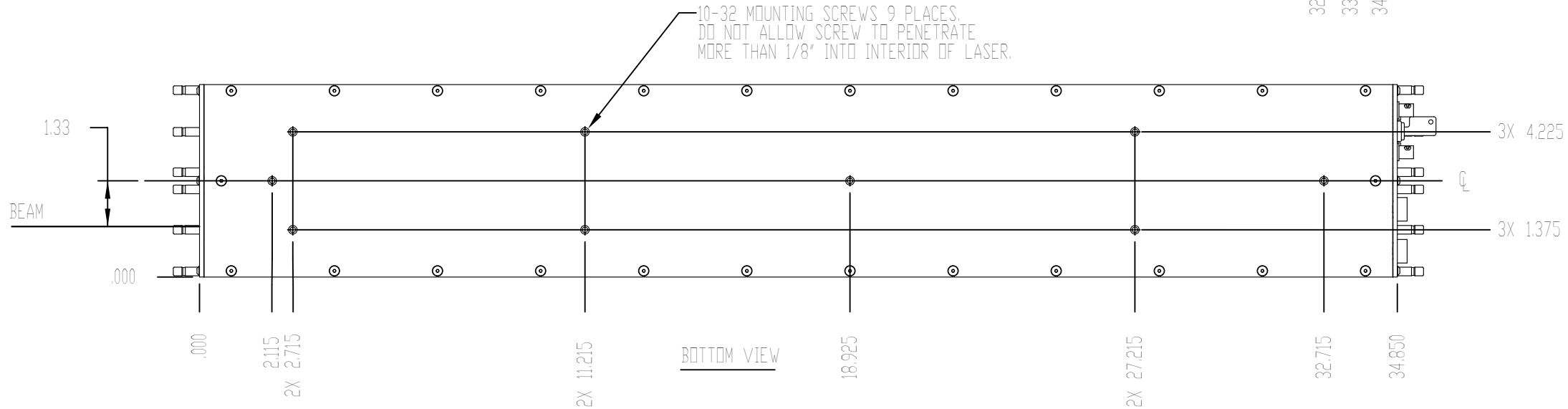
FRONT VIEW



SIDE VIEW



REAR VIEW



BOTTOM VIEW

10-32 MOUNTING SCREWS 9 PLACES.
DO NOT ALLOW SCREW TO PENETRATE
MORE THAN 1/8" INTO INTERIOR OF LASER.

| | |
|--------------------------|---------------|
| TOLERANCES UNLESS NOTED: | |
| .x = ± . | ANGLE = ± . ° |
| .xx = ± . | |
| .xxx = ± . | |
| MATERIAL: | |
| FINISH: | |

PROPRIETARY
THIS DRAWING IS PROPRIETARY TO
SYNRAD INC. AND SHALL NOT BE
USED OR DISCLOSED IN WHOLE
OR IN PART WITHOUT WRITTEN
PERMISSION OF SYNRAD INC.

DESCRIPTION:
OUTLINE & MOUNTING, 48-5

PART NUMBER: 300-16110-01
SHEET 1 of 1
UNITS: Inches
SIZE: B

SYNRAD INC.
4600 Campus Place
Mukilteo, WA 98275
Phone: (425)349-3500
Fax: (425)349-3667

| | |
|-------------------------------|----------------|
| DWG/FILE NUMBER: 300-16110-00 | |
| DRAWN BY: A. DEXTER | DATE: 12/30/92 |
| CHECKED BY: | DATE: |
| APPROVED BY: | DATE: |

- NOTES:
- ① DO NOT USE OPTIONAL ACCESSORIES MOUNTING HOLES TO MOUNT LASER.
 - ② BEAM PATH MAY NOT BE CENTERED OR PERPENDICULAR TO FACEPLATE APERTURE.