

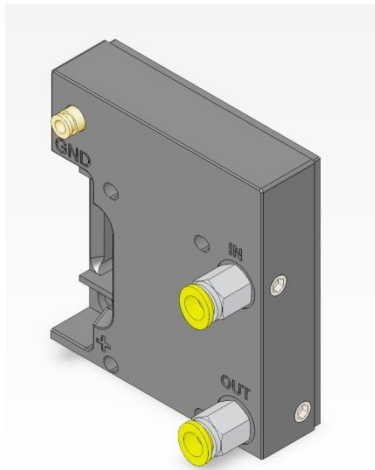
# SYNRAD Product Change Notice

PCN #: 001-2014  
ECO #: None  
Date: 15 January 2014  
Product P/N: PSP100SB

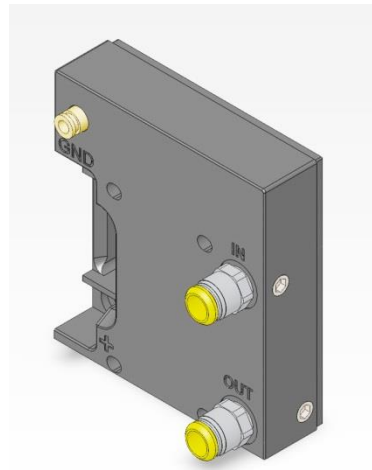
## Description of Change: Pulstar p100 Coolant Fittings

The manufacturer of the original 12 mm coolant fittings used on p100 lasers has discontinued production of these items. Effective immediately, all p100 lasers will ship with new-style fittings designated by the same manufacturer as a direct replacement for the discontinued part.

SYNRAD has performed qualification testing of these new-style fittings and has determined they are functionally equivalent to the original fittings. This change does not affect laser installation, performance, or product reliability.



Original p100 Coolant Fittings



New-Style p100 Coolant Fittings

For further information contact SYNRAD at 1.800.796.7231; outside the U.S., dial +1.425.349.3500 or email to: [synrad@synrad.com](mailto:synrad@synrad.com).