

OEM vi40 Laser - Addendum to OEM vi30 Operator's Manual

6 January 2017

Important Note: This document contains important information about installation and operation of the OEM **vi40** laser. Except as noted here, refer to the *OEM vi30 Operator's Manual* on the synrad.com web site for installation, integration, and operation information.

Getting Started

Introduction

The OEM vi40 laser is based upon the proven OEM vi30 laser platform.

Connecting

48V power supply connections

The OEM vi40 requires 48V at 14A.

Technical Reference

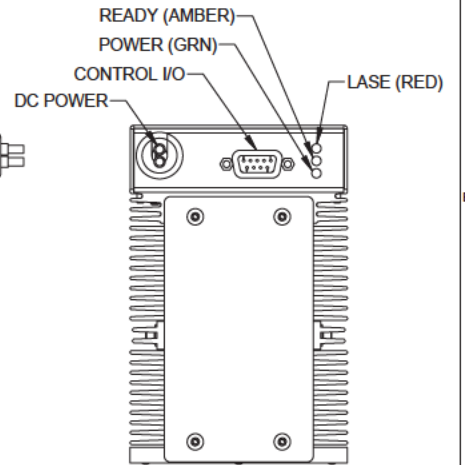
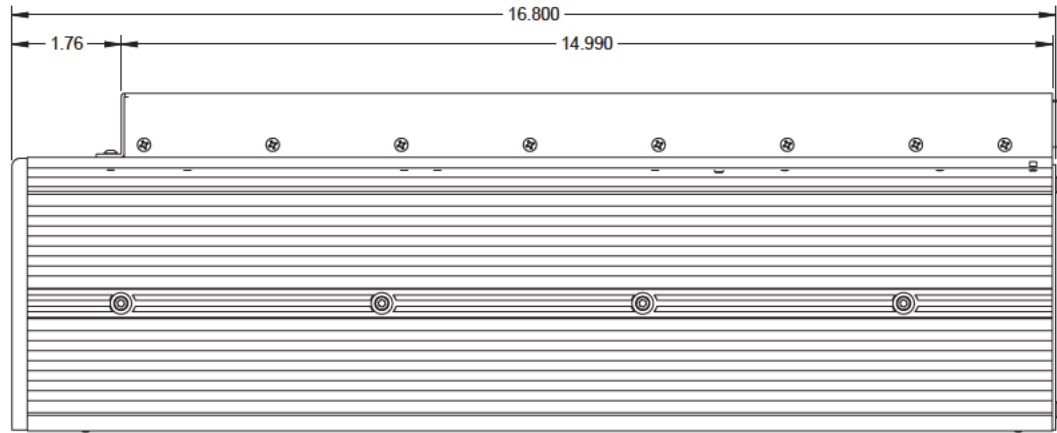
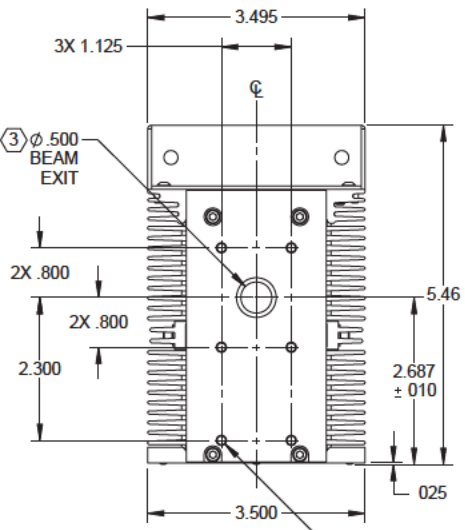
Temperature Broadcast Feature

The vi40 is equipped with a Temperature Broadcast Feature, which provides users the ability to monitor the laser's internal temperature status. The temperature data is sent as 13 bit serial data packets through one of the laser's output signals, with values ranging from -25 to 125°C and a resolution of 0.0625°C per bit. Please consult the factory for complete details of this feature.

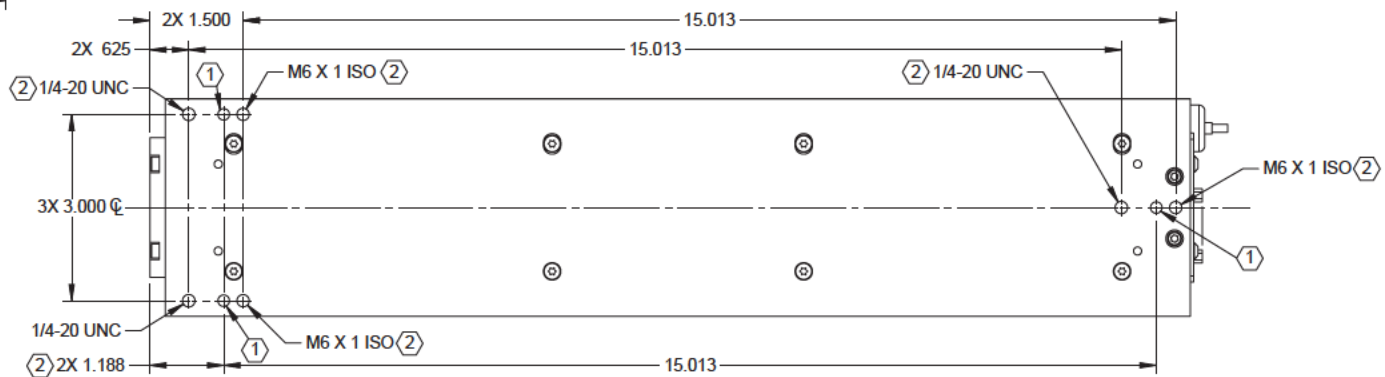
General Specifications

Average power (W):	40
Supply current, max (A):	14
Heat load (W):	600
Minimum Flow Rate	190 CFM per fan (two fans required)
Length in inches, (cm)	16.8 (42.7)
Height, Width, and Weight are same as OEM vi30	

REV	DA	ECN	ECO	DATE	DESCRIPTION	DB
R1	.	.	.	28-Nov-16	INITIAL DESIGN	DMD
.
.



6X 8-32 UNC ACCESSORY MOUNTING HOLES. SCREWS SHOULD NOT EXTEND MORE THAN .19 INTO FACE PLATE



- NOTES:
- ① HARDENED BALL MOUNTING POINT, 3X (∅.1875 BALL BEARING).
 - ② THIS MOUNTING HOLE PATTERN USED FOR BOTTOM ACCESS FASTENING.
 - ③ BEAM PATH MAY NOT BE CENTERED OR PERPENDICULAR TO FACE PLATE APERTURE.

TOLERANCES UNLESS NOTED: x = ± .1 ANGLE = ± .5° .xx = ± .01 .xxx = ± .005		PROPRIETARY. THIS DRAWING IS PROPRIETARY TO SYNRAD AND SHALL NOT BE USED OR DISCLOSED IN WHOLE OR IN PART WITHOUT WRITTEN PERMISSION OF SYNRAD.		SYNRAD 4600 Campus Place Mukilteo, WA 98275 Phone: (425)349-3500 Fax: (425)349-3667 Synrad, a Novanta Company.	
MATERIAL: .		THIRD ANGLE PROJECTION 		DESCRIPTION: OUTLINE & MOUNTING, Vi40, AIR-COOLED, OEM	
FINISH: .		DRAWN BY: D. DUVALL	DATE: 28-Nov-16	DWG/FILE NUMBER: 300-21129-01	
APPROVED BY: .		QILTY CHK BY:	DATE:	PART NUMBER: 300-21129-01	
.		ENG CHK BY:	DATE:	ENG: .	SIZE: B CATEGORY: .
.		APPROVED BY:	DATE:	UNITS: Inches	SHEET 1 of 1 FINISH CLASS: .
					REV: R1