

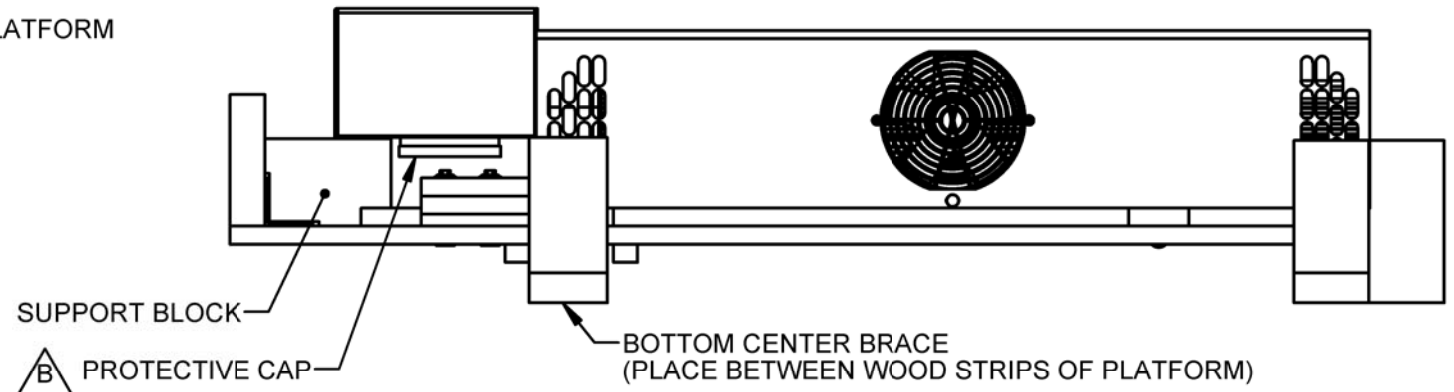
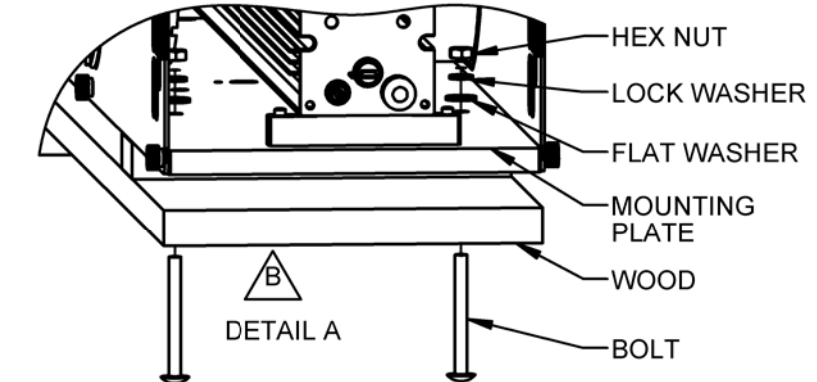
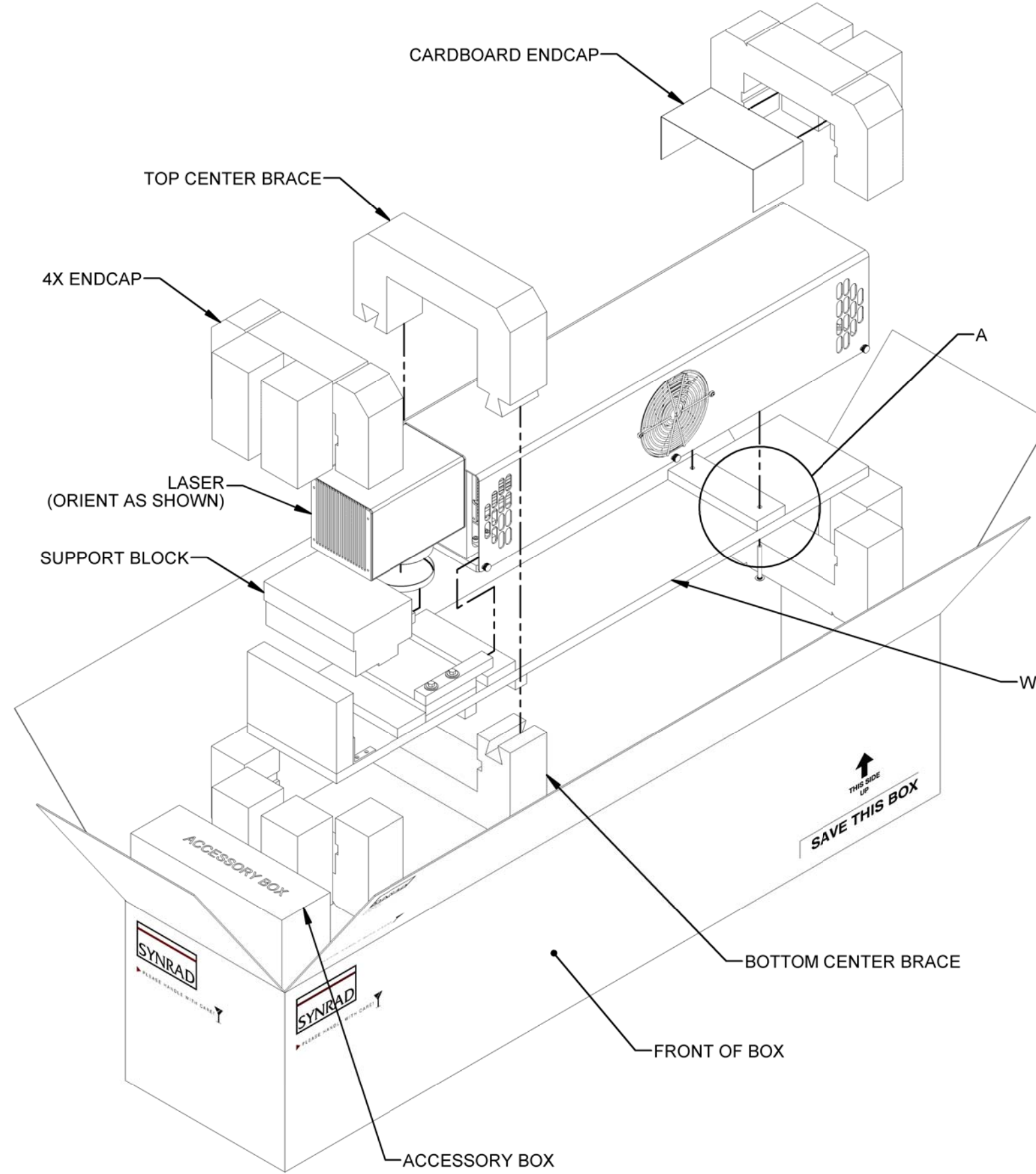
IMPORTANT NOTE:
FAILURE TO PROPERLY PACKAGE LASER USING SYNRAD SHIPPING BOX AND FOAM/CARDBOARD INSERTS AS SHOWN MAY VOID WARRANTY. CUSTOMERS MAY INCUR ADDITIONAL REPAIR CHARGES DUE TO SHIPPING DAMAGE CAUSED BY IMPROPER PACKAGING.


REV	ECO	DATE	DESCRIPTION	DB
A	4030	13-Apr-09	RELEASE TO PRODUCTION	DMD
B	4134	18-Nov-09	UPDATE PACKAGING INSTRUCTIONS, ADD DETAIL 'A'	DMD



STEP BY STEP PAKAGING INSTRUCTIONS:

1. POSITION BOX SO LOGO ON TOP FLAP IS FACING YOU (LOGO WILL BE ON THE LEFT SIDE).
2. PLACE BOTTOM ENDCAPS AND BOTTOM CENTER BRACE INTO BOX AS SHOWN. (POSITION CENTER BRACE SO IT WILL CAPTURE THE TWO WOOD STRIPS ON BOTTOM OF PLATFORM)
3. INSTALL THE RED PROTECTIVE LENS CAP OVER THE FOCUSING LENS.
4. PLACE LASER ASSEMBLY ON TOP OF WOOD PLATFORM, SLIDING MOUNTING PLATE UNDER BOTH 6" WOOD EXTENSION STRIPS. TIGHTEN FOUR BOLTS TO SECURE FRONT OF MOUNTING PLATE.
5. REMOVE THE TWO FRONT AND THE TWO CENTER SETS OF THUMBSCREWS HOLDING THE FAN SHROUD TO THE MOUNTING PLATE. LOOSEN, BUT DO NOT REMOVE THE TWO REAR THUMBSCREWS.
6. CAREFULLY TILT THE FAN SHROUD TO THE REAR, BEING SURE NOT TO DAMAGE FAN OR POWER WIRING.
7. REFER TO DETAIL 'A' AND INSERT TWO CARRIAGE BOLTS THROUGH BOTTOM OF PLATFORM AND MOUNTING PLATE. PLACE FLAT WASHER AND LOCK WASHER OVER BOLT AND SECURE WITH HEX NUT.
8. LOWER FAN SHROUD, REPLACE FRONT AND CENTER THUMBSCREWS, AND THEN TIGHTEN ALL SIX SNUGLY.
9. FIT SUPPORT BLOCK UNDER MARKING HEAD AS SHOWN.
10. PLACE LASER ASSEMBLY/PLATFORM ON TOP OF FOAM ENDCAPS AND CENTER BRACE AS SHOWN.
11. FOLD CARDBOARD CAP AND INSERT INTO TOP ENDCAP AS SHOWN.
12. PLACE TOP ENDCAPS OVER LASER, SLIDE TOP CENTER BRACE INTO LOWER CENTER BRACE AND SECURE.
13. PLACE ACCESSORY BOX IN FRONT OF FOAM ENDCAPS AS SHOWN.
14. DO NOT SHIP WITH KEY IN SWITCH TO AVOID DAMAGE TO KEYSWITCH.
15. CLOSE AND SEAL BOX AS REQUIRED.
16. WRITE SYNRAD RETURN AUTHORIZATION NUMBER ON OUTSIDE OF SHIPPING BOX.



TOLERANCES UNLESS NOTED:		PROPRIETARY THIS DRAWING IS PROPRIETARY TO SYNRAD INC. AND SHALL NOT BE USED OR DISCLOSED IN WHOLE OR IN PART WITHOUT WRITTEN PERMISSION OF SYNRAD INC.		 SYNRAD INC. 4600 Campus Place Mukilteo, WA 98275 Phone: (425)349-3500 Fax: (425)349-3667	
.x = ± .1	ANGLE = ± .5°				
.xx = ± .01					
.xxx = ± .005		DESCRIPTION: PACKAGING, FLMK-2A, 48-2, FLYER			
MATERIAL: SEE BOM		PART NUMBER: 900-19881-01	DWG/FILE NUMBER: 900-19881-01		
FINISH:		SHEET 1 of 1	ENG: .	DRAWN BY: D. DUVALL	DATE: 13-Apr-09
		UNITS: Inches	CATEGORY:	CHECKED BY:	DATE:
		SIZE: B	FINISH CLASS: .	APPROVED BY:	DATE: