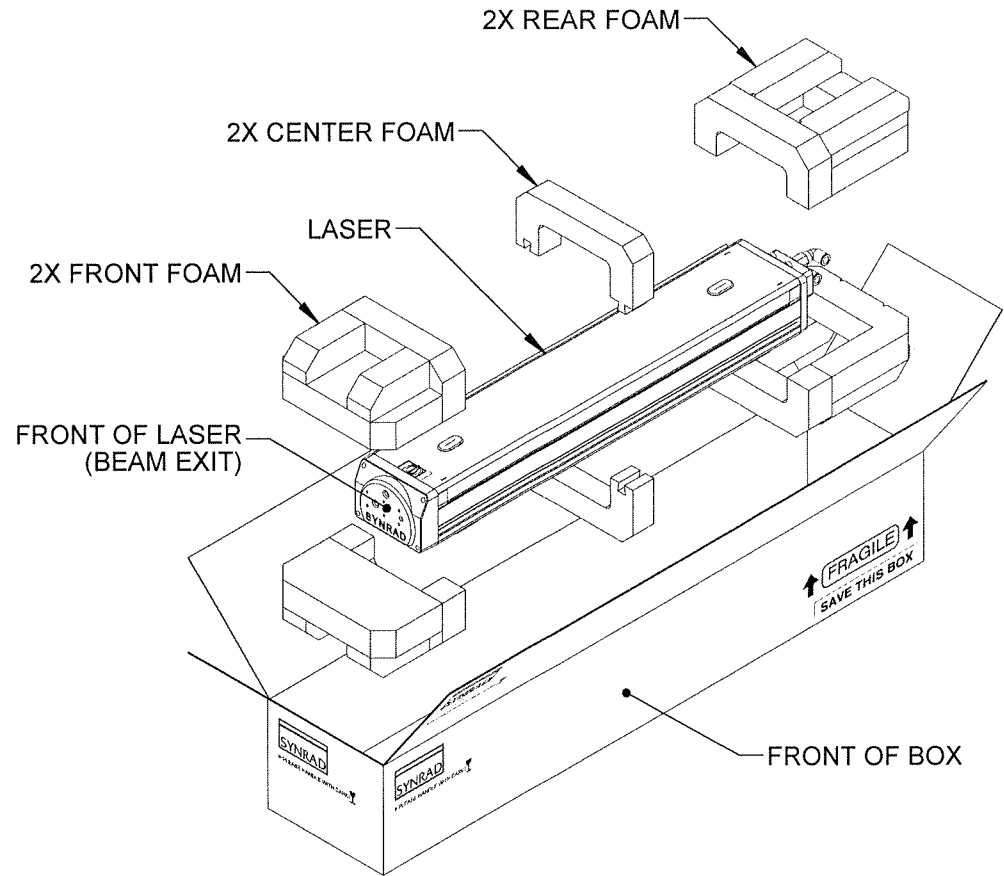



| REV | ECO | DATE | DESCRIPTION | DB |
|-----|------|-----------|-----------------------|-----|
| A | 3968 | 12-Nov-08 | RELEASE TO PRODUCTION | DMD |

STEP BY STEP PACKAGING INSTRUCTIONS:

1. POSITION BOX SO LOGO ON TOP FLAP IS FACING YOU (LOGO WILL BE ON THE LEFT SIDE).
2. POSITION FRONT, CENTER, AND REAR BOTTOM FOAM INSIDE BOX AS SHOWN.
NOTE: CENTER FOAM SHOULD BE CENTERED IN BOX AS BEST AS POSSIBLE.
3. PLACE LASER INSIDE FOAM CAVITIES AS SHOWN, MAKING SURE FRONT OF LASER IS ON THE LEFT SIDE.
4. PLACE FRONT, CENTER, AND REAR TOP FOAM OVER LASER AND SECURE.
5. DO NOT SHIP WITH KEY IN SWITCH TO AVOID DAMAGE TO KEYSWITCH.
6. WRITE SYNRAD RETURN AUTHORIZATION NUMBER ON OUTSIDE OF SHIPPING BOX.



IMPORTANT NOTE: FAILURE TO PROPERLY PACKAGE LASER USING SYNRAD SHIPPING BOX AND FOAM/CARDBOARD INSERTS AS SHOWN MAY VOID WARRANTY. CUSTOMERS MAY INCUR ADDITIONAL REPAIR CHARGES DUE TO SHIPPING DAMAGE CAUSED BY IMPROPER PACKAGING.

| | | | | | |
|--------------------------|-----------------|--|-------------------------------|--|-----------------|
| TOLERANCES UNLESS NOTED: | | PROPRIETARY THIS DRAWING IS PROPRIETARY TO SYNRAD INC. AND SHALL NOT BE USED OR DISCLOSED IN WHOLE OR IN PART WITHOUT WRITTEN PERMISSION OF SYNRAD INC. | |  SYNRAD INC. 4600 Campus Place Mukilteo, WA 98275 Phone: (425)349-3500 Fax: (425)349-3667 | |
| .x = ± 0.1 | ANGLE = ± 0.5 ° | | | | |
| .xx = ± 0.01 | | | | | |
| .xxx = ± 0.005 | | | | | |
| MATERIAL: SEE BOM | | DESCRIPTION: PACKAGING, EVO 100 | | | |
| FINISH: | | PART NUMBER: 900-19883-01 | DWG/FILE NUMBER: 900-19883-01 | | |
| | | SHEET 1 of 1 | ENG: . | DRAWN BY: D. DUVALL | DATE: 12-Nov-08 |
| | | UNITS: Inches | CATEGORY: I | CHECKED BY: <i>[Signature]</i> | DATE: 3/18/2009 |
| | | SIZE: A | FINISH CLASS: . | APPROVED BY: <i>[Signature]</i> | DATE: 3/18/09 |