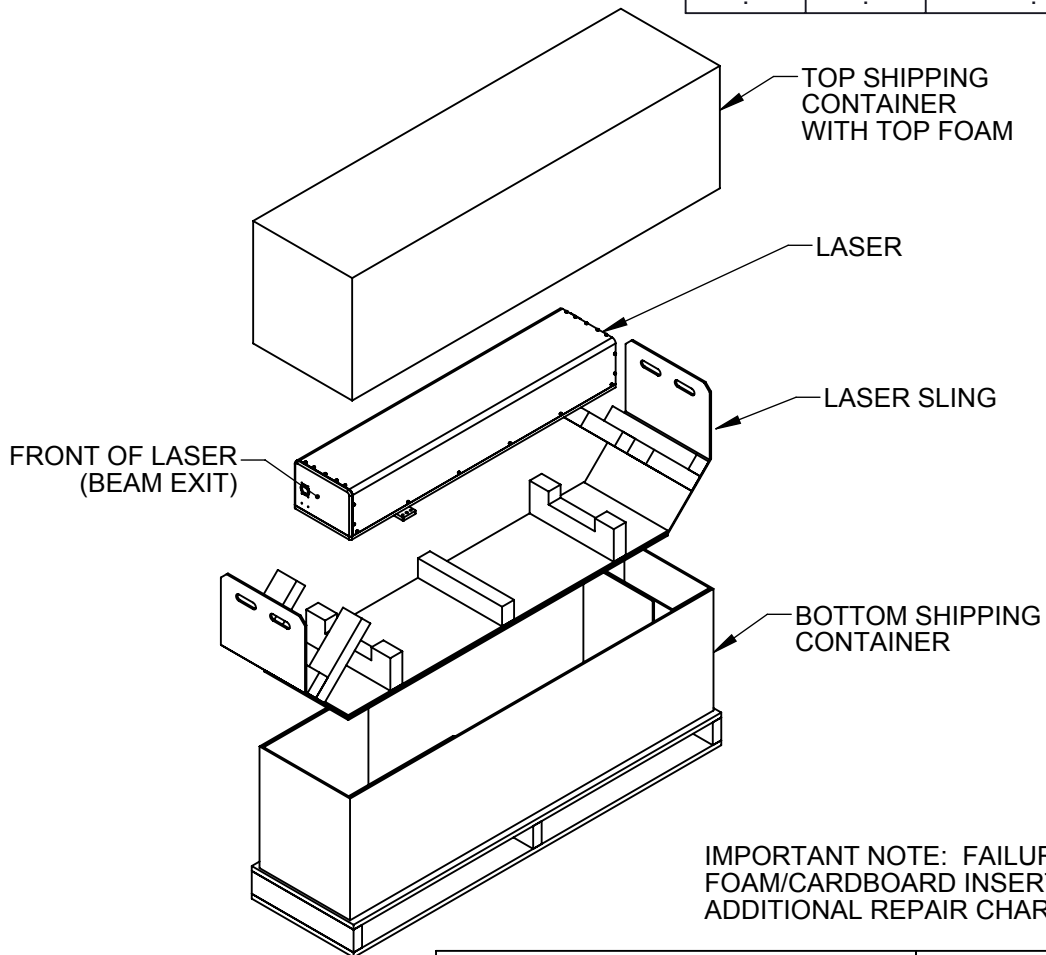


REV	ECO	DATE	DESCRIPTION	DB
A	4925	19-Mar-14	RELEASE TO PRODUCTION	DMD
.	.	.	.	.
.	.	.	.	.

B

B




**PACKAGING INSTRUCTIONS:**

1. LIFT LASER SLING OUT OF SHIPPING CONTAINER AND PLACE ON SOLID SURFACE.
2. PLACE LASER INSIDE FOAM CAVITIES ON LASER SLING, MAKING SURE FRONT OF LASER IS ON LEFT SIDE.
3. USE TWO OR MORE PEOPLE TO LIFT LASER/LASER SLING AND PLACE INTO BOTTOM SHIPPING CONTAINER.
4. COVER WITH TOP SHIPPING CONTAINER AND SECURE AS REQUIRED. NOTE: TOP SHIPPING CONTAINER CONTAINS FOAM CAVITIES, ORIENT FOR PROPER FIT.
5. WRITE SYNRAD RETURN AUTHORIZATION NUMBER ON OUTSIDE OF SHIPPING BOX.

**IMPORTANT NOTE:** FAILURE TO PROPERLY PACKAGE LASER USING SYNRAD SHIPPING BOX AND FOAM/CARDBOARD INSERTS AS SHOWN MAY VOID WARRANTY. CUSTOMERS MAY INCUR ADDITIONAL REPAIR CHARGES DUE TO SHIPPING DAMAGE CAUSED BY IMPROPER PACKAGING.

A

A

<p>TOLERANCES UNLESS NOTED:</p> <p>.x = ± .1      ANGLE = ± .5°</p> <p>.xx = ± .01</p> <p>.xxx = ± .005</p> <p>MATERIAL: SEE BOM</p> <p>FINISH:</p>	<p>PROPRIETARY THIS DRAWING IS PROPRIETARY TO SYNRAD INC. AND SHALL NOT BE USED OR DISCLOSED IN WHOLE OR IN PART WITHOUT WRITTEN PERMISSION OF SYNRAD INC.</p>		 <p>SYNRAD INC. 4600 Campus Place Mukilteo, WA 98275 Phone: (425)349-3500 Fax: (425)349-3667</p>	
	<p>PART NUMBER: 900-20538-01</p>		<p>DWG/FILE NUMBER: 900-20538-01</p>	
	<p>SHEET 1 of 1</p>	<p>ENG: .</p>	<p>DRAWN BY: D. DUVALL</p>	<p>DATE: 19-Mar-14</p>
<p>UNITS: Inches</p>	<p>CATEGORY: I</p>	<p>CHECKED BY:</p>	<p>DATE:</p>	
<p>SIZE: A</p>	<p>FINISH CLASS: .</p>	<p>APPROVED BY:</p>	<p>DATE:</p>	