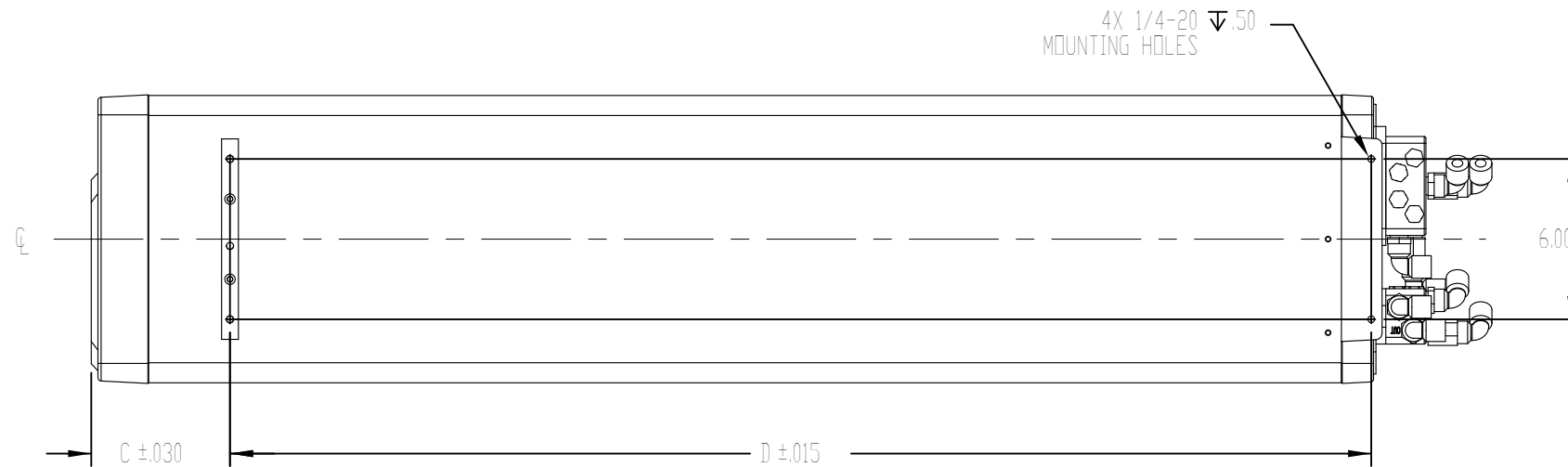
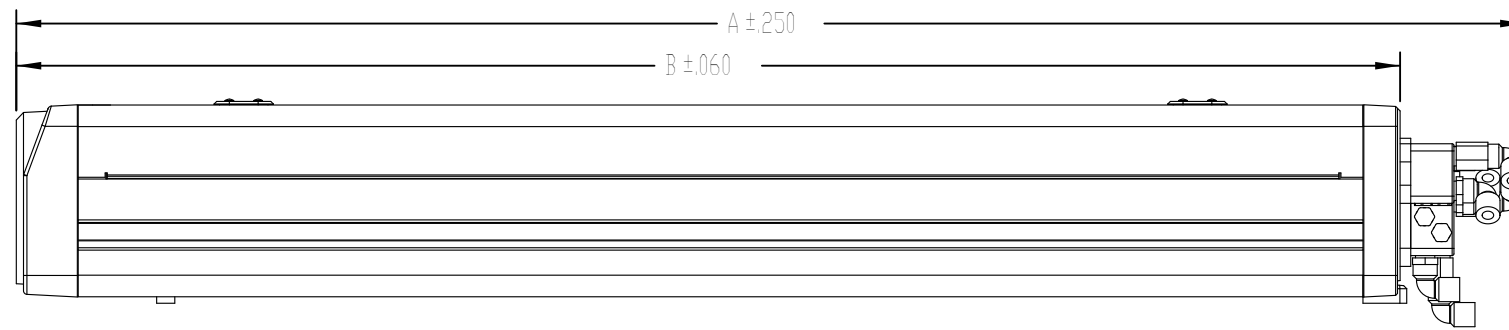
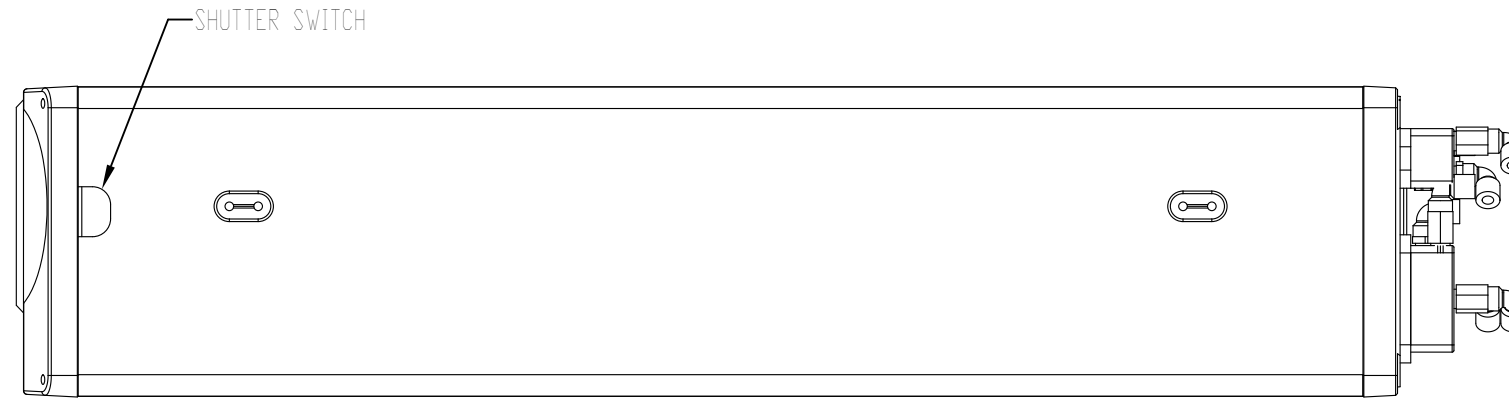
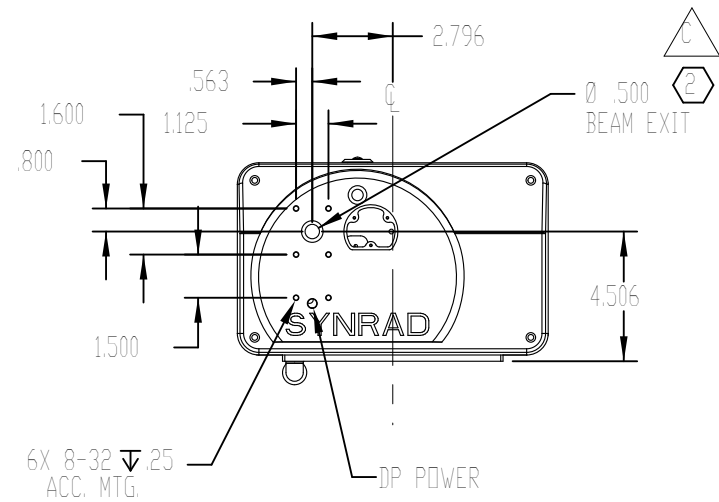


NOTES:

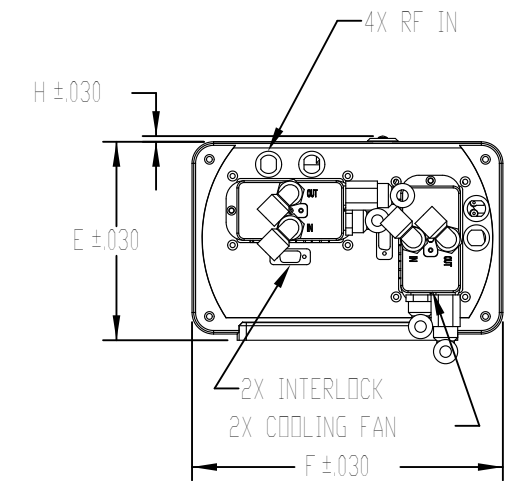
1. DO NOT USE ACC. MTG. HOLES TO MOUNT LASER.

2. BEAM PATH MAY NOT BE CENTERED OR PERPENDICULAR TO FACEPLATE APERTURE.

REV	ECD	DATE	DESCRIPTION	DB
B	3912	7-Aug-08	ADD BEAM EXIT Ø, CONVERT TO SOLIDWORKS	DMD
C	4107	8-Sep-09	ADD NOTE 2	DMD



PART NUMBER	DESCRIPTION
95-542010-02	200E
95-542110-02	200SE
95-562010-02	240E
95-562110-02	240SE



MODEL	DIM A	DIM B	DIM C	DIM D	DIM E	DIM F	DIM H
200E	45.575	41.065	5.190	35.700	6.885	10.800	.200
240E	52.575	48.065	5.190	42.700	6.885	10.800	.200
57-2	45.420	41.200	5.087	35.700	6.830	10.460	.700
60-2	52.420	48.200	5.087	42.700	6.830	10.460	.700

TOLERANCES UNLESS NOTED: .x = ±0.1      ANGLE = ± 2.0 ° .xx = ± 0.01 .xxx = ± 0.005		PROPRIETARY THIS DRAWING IS PROPRIETARY TO SYNRAD INC. AND SHALL NOT BE USED OR DISCLOSED IN WHOLE OR IN PART WITHOUT WRITTEN PERMISSION OF SYNRAD INC.		SYNRAD INC. 4600 Campus Place Mukilteo, WA 98275 Phone: (425)349-3500 Fax: (425)349-3667	
MATERIAL:		DESCRIPTION: OUTLINE & MOUNTING, 200/240 EVOLUTION			
FINISH:		PART NUMBER: SEE TABLE		DWG/FILE NUMBER: 300-17488-00	
.		SHEET 1 of 1		DRAWN BY: A. Dexter      DATE: 11-Jun-98	
.		UNITS: Inches		CHECKED BY:      DATE:	
.		SIZE: B		APPROVED BY:      DATE:	