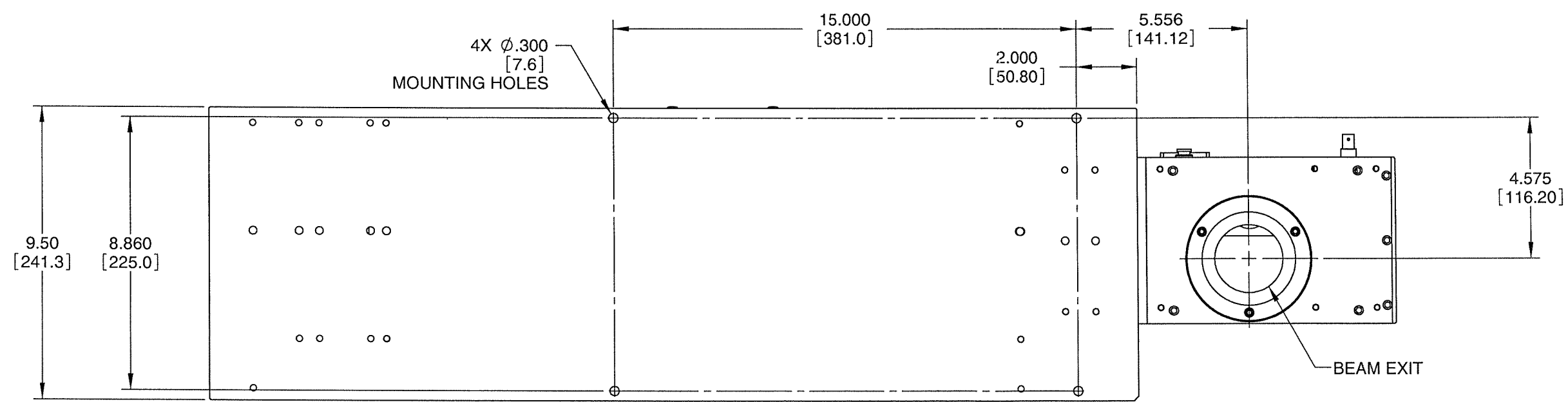
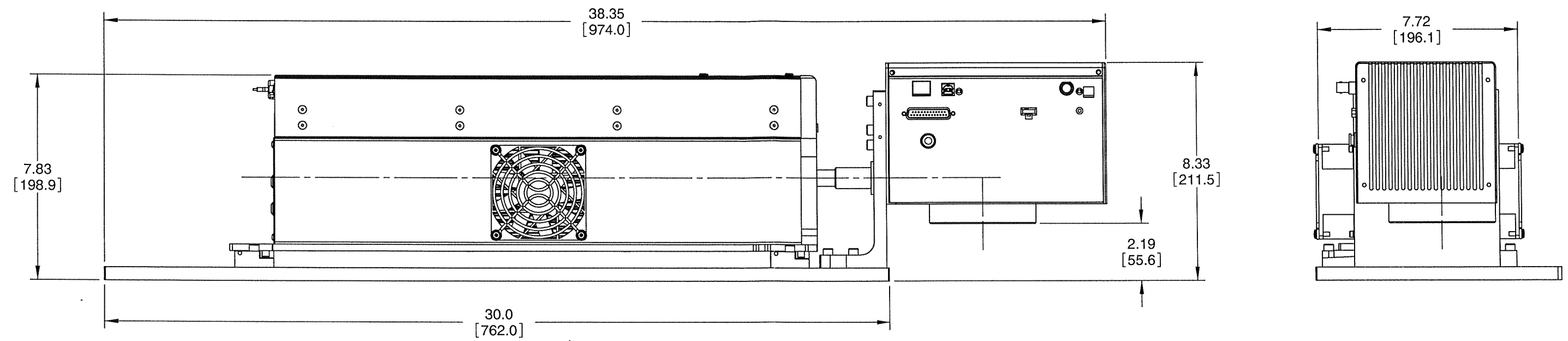



REV	ECO	DATE	DESCRIPTION	DB
A	3989	7-Jan-09	RELEASE TO PRODUCTION	DMD



TOLERANCES UNLESS NOTED:		PROPRIETARY THIS DRAWING IS PROPRIETARY TO SYNRAD INC. AND SHALL NOT BE USED OR DISCLOSED IN WHOLE OR IN PART WITHOUT WRITTEN PERMISSION OF SYNRAD INC.		 SYNRAD INC. 4600 Campus Place Mukilteo, WA 98275 Phone: (425)349-3500 Fax: (425)349-3667	
.x = ± 0.1	ANGLE = ± 0.5°				
.xx = ± 0.01					
.xxx = ± 0.005		DESCRIPTION: <b>OUTLINE &amp; MOUNTING - FLYER, T70i, FAN</b>			
MATERIAL:		PART NUMBER: 300-19676-70	DWG/FILE NUMBER: 300-19676-70		
FINISH:		SHEET 1 of 1	ENG: .	DRAWN BY: D. DUVALL	DATE: 7-Jan-09
		UNITS: Inches	CATEGORY: .	CHECKED BY: <i>[Signature]</i>	DATE: 1/9/2009
		SIZE: B	FINISH CLASS: .	APPROVED BY: <i>[Signature]</i>	DATE: 1/9/2009