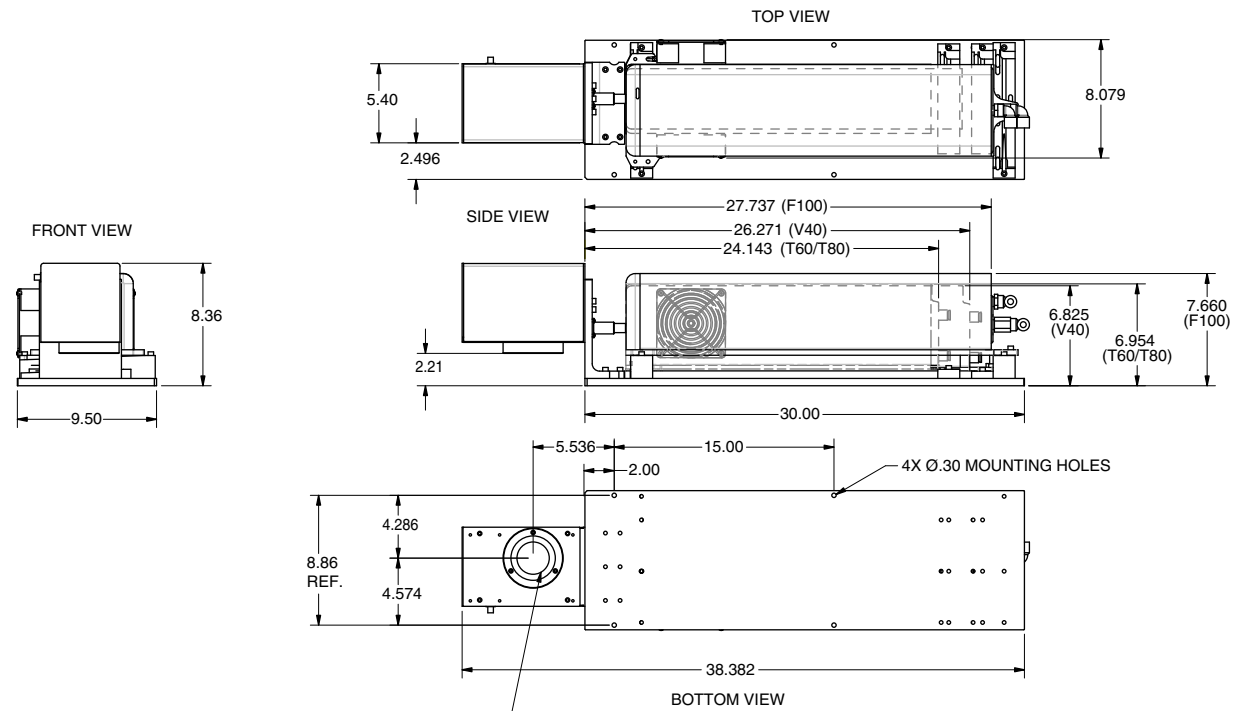


REV	ECO	DATE	DESCRIPTION	DB
B	2352	14-Mar-03	ADDED 2.000 DIMENSION	



Pro/E

TOLERANCES UNLESS NOTED:		PROPRIETARY		SYNRAD INC. 4600 Campus Place Mukiteo, WA 98275 Phone: (425)349-3500 Fax: (425)349-3667
.x == ± 0.1	ANGLE == 2.0°	THIS DRAWING IS PROPRIETARY TO SYNRAD INC. AND SHALL NOT BE USED OR DISCLOSED IN WHOLE OR IN PART WITHOUT WRITTEN PERMISSION OF SYNRAD INC.		
.xx == ± 0.01		DESCRIPTION:		
.xxx == ± 0.005		OUTLINE AND MOUNTING, FH HEAD TO FIRESTAR V40/T60/T80/F100		
MATERIAL:		PART NUMBER: 300-18644-01	DWG/FILE NUMBER: 300-18644-01	
FINISH:		SHEET 1 OF 1	DB: pdmdb	DATE: 01-Oct-01
		UNITS: INCHES	CATEGORY: I	CHECKED BY:
		SIZE: B	FINISH CLASS: A	APPROVED BY:
				DATE: