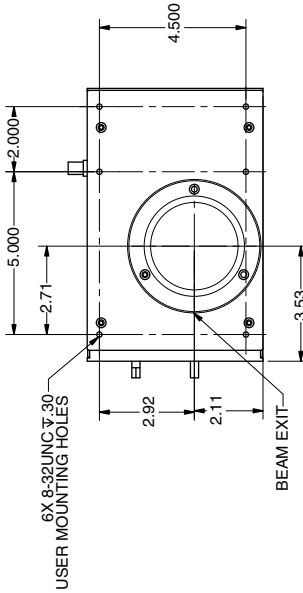
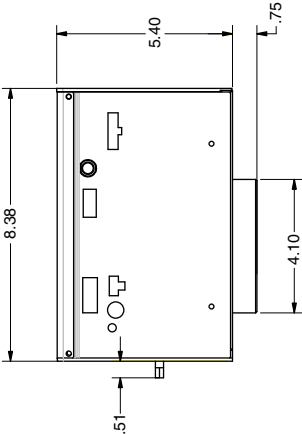
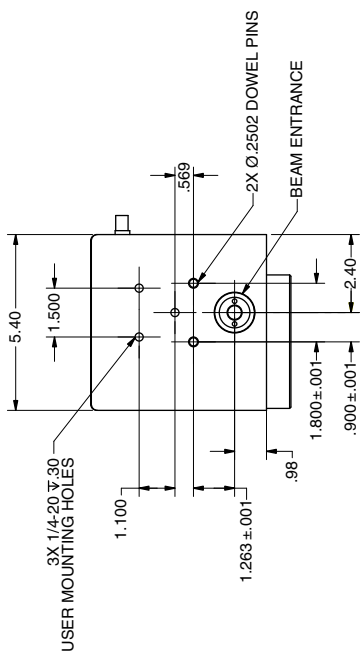


REV	ECO	DATE	DESCRIPTION	DB
C	2263	13-Nov-02	REVISED P/N TABLE	



PART NUMBERS	DESCRIPTION
INDEX (RED)	SMART (BLUE)
TRACKER (GREEN)	FHSM25-U
FHIN25-U	FHSM30-U
FHIN30-U	FHSM50-U
FHIN50-U	

PROPRIETARY
 THIS DRAWING IS PROPRIETARY TO
 SYNRAD INC. AND SHALL NOT BE
 USED OR DISCLOSED IN WHOLE
 OR IN PART WITHOUT WRITTEN
 PERMISSION OF SYNRAD INC.

SYNRAD INC.
 4600 Campus Place
 Mukilteo, WA 98275
 Phone: (425)349-3500
 Fax: (425)349-3667

TOLERANCES UNLESS NOTED:
 .X ± .01 ANGLE ± 2.0°
 .XX ± .002
 .XXX ± .0005
 MATERIAL:

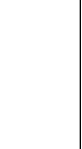
DESCRIPTION: OUTLINE AND MOUNTING, FENIX HEAD

PART NUMBER: SEE TABLE
 DWG/FILE NUMBER: 300-17922-00

SHEET 1 OF 1
 DRAWN BY:
 DATE: 8-Apr-99

UNITS: INCHES
 CHECKED BY:
 DATE:

SIZE: B
 FINISH CLASS:
 APPROVED BY:
 DATE:



P/ro/E