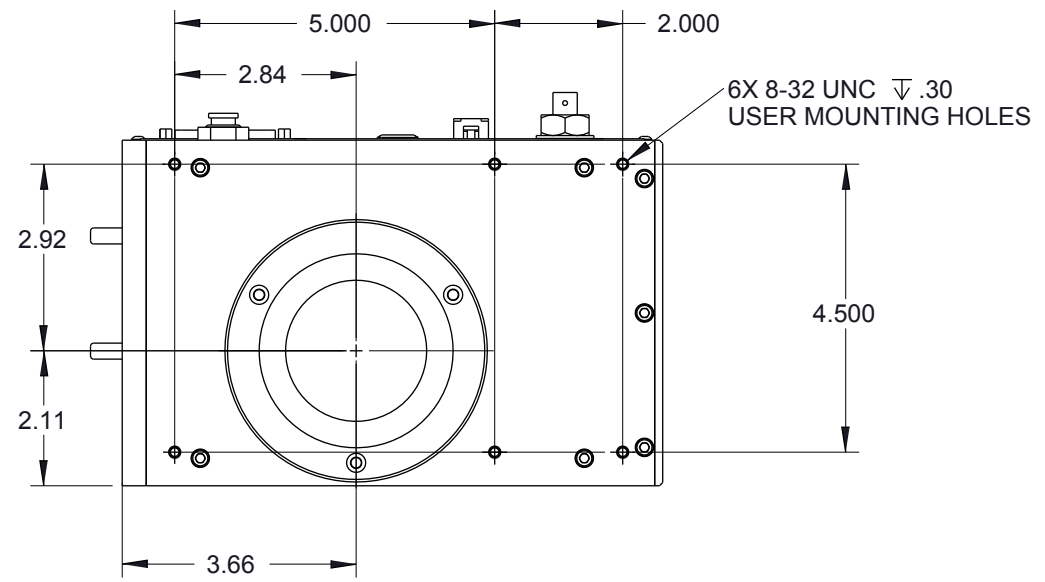
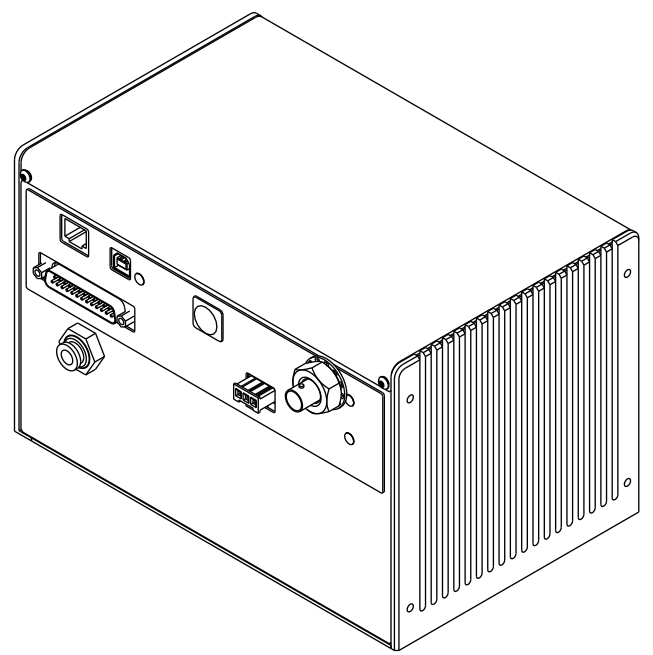
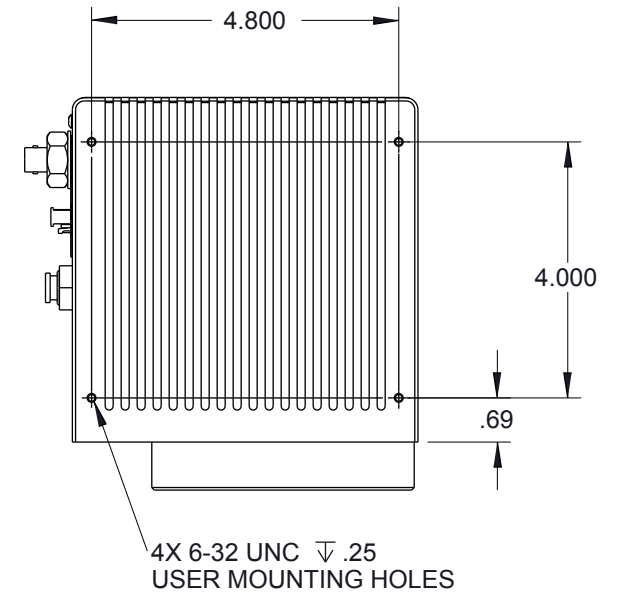
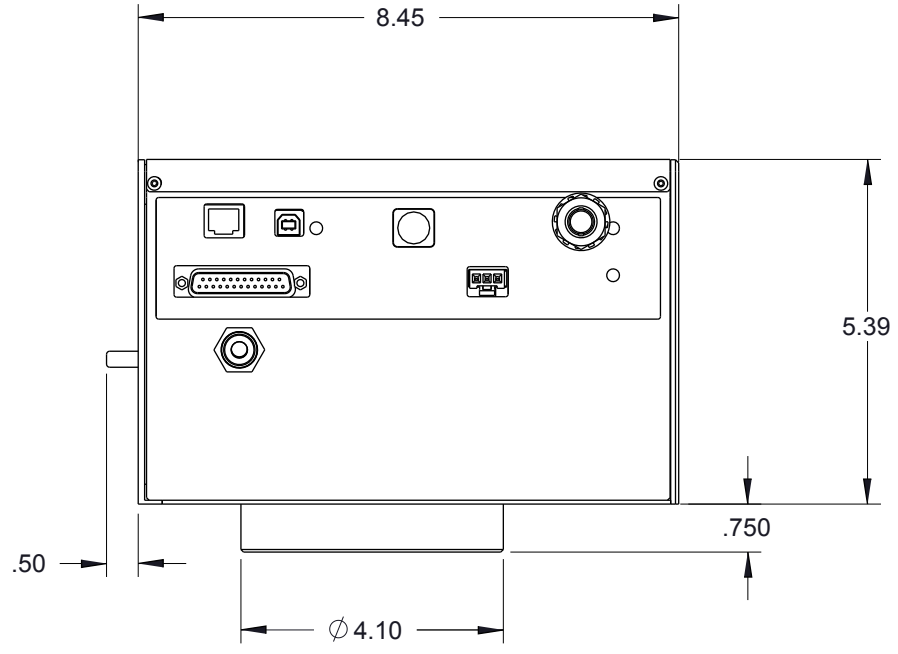
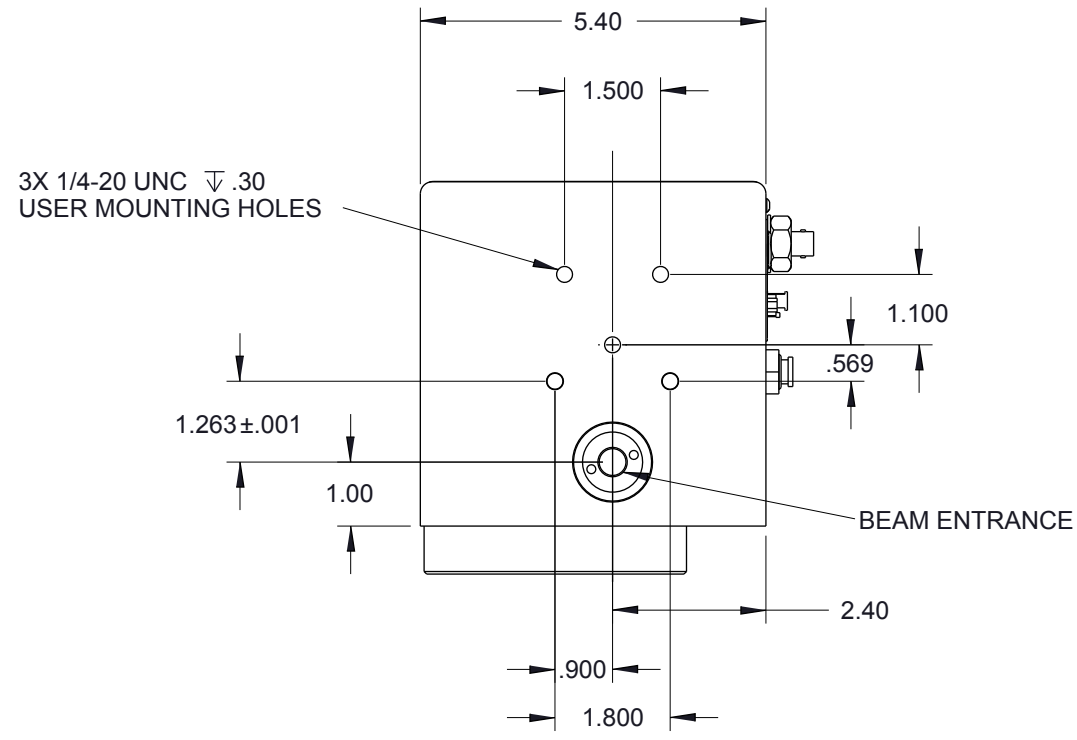


REV	ECO	DATE	DESCRIPTION	DB
R3		01-08-07	UPDATED MODEL, ADDED FRONT VIEW	



FLYER PART NUMBER	DESCRIPTION
FHFL25-U	2.5X EXPANDER
FHFL30-U	3X EXPANDER
FHFL50-U	5X EXPANDER

PROPRIETARY
THIS DRAWING IS PROPRIETARY TO
SYNRAD INC. AND SHALL NOT BE
USED OR DISCLOSED IN WHOLE
OR IN PART WITHOUT WRITTEN
PERMISSION OF SYNRAD INC.

SYNRAD INC.
4600 Campus Place
Mukilteo, WA 98275
Phone: (425)349-3500
Fax: (425)349-3667

DESCRIPTION: OUTLINE & MOUNTING, FLYER MARKING HEAD			
PART NUMBER:	85-019313-00	DWG/FILE NUMBER:	300-019313-00
SHEET 1 of 1	ENG:	DRAWN BY:	DATE: 01-08-07
UNITS: Inches	CATEGORY:	CHECKED BY:	DATE:
SIZE: B	FINISH CLASS:	APPROVED BY:	DATE: