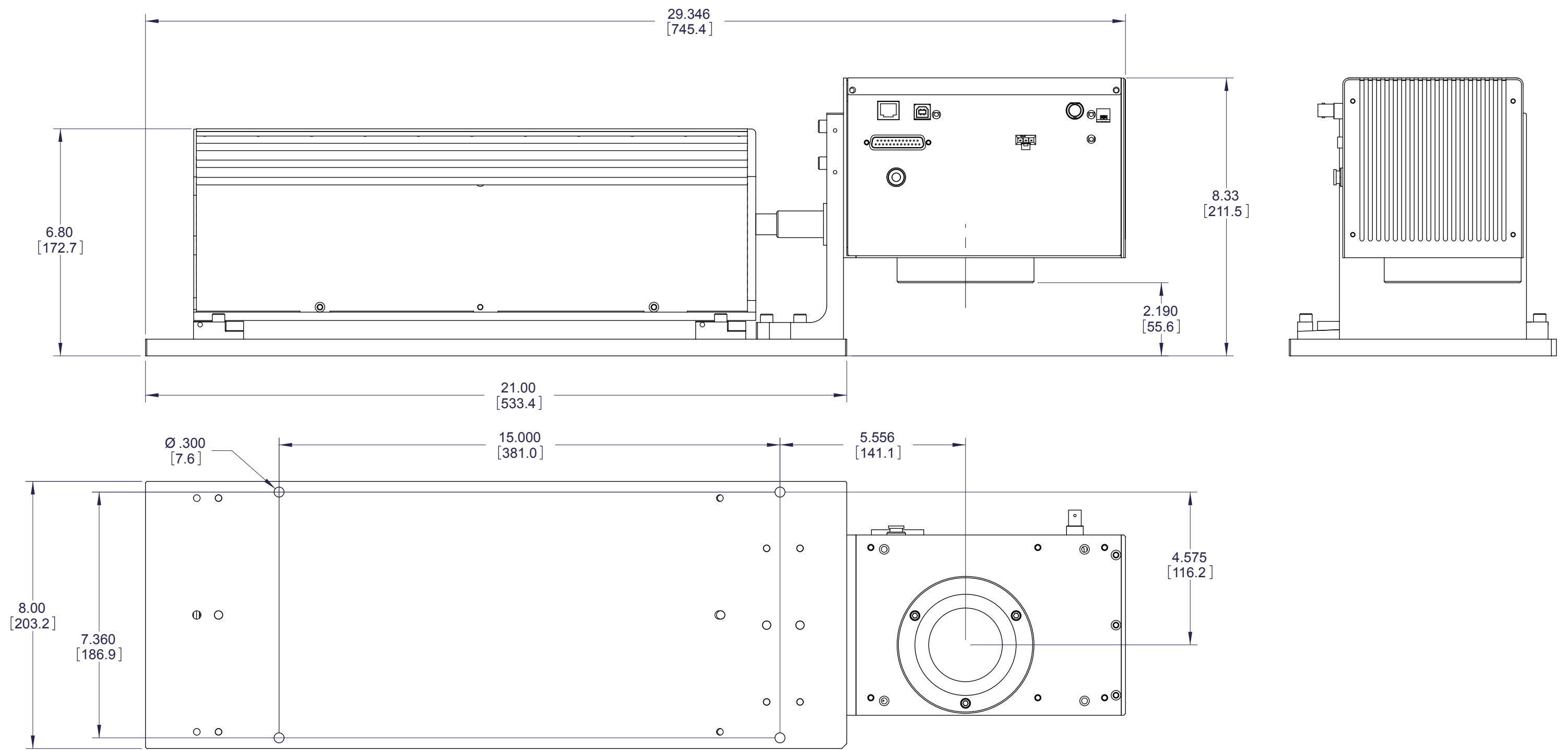



REV	ECO	DATE	DESCRIPTION	DB
A	3575	13-Nov-07	RELEASE TO PRODUCTION	RLS



NOTE:
ALL DIMENSIONS ARE IN INCHES.
DIMENSIONS IN BRACKETS [] ARE MILLIMETERS.

TOLERANCES UNLESS NOTED:		PROPRIETARY THIS DRAWING IS PROPRIETARY TO SYNRAD INC. AND SHALL NOT BE USED OR DISCLOSED IN WHOLE OR IN PART WITHOUT WRITTEN PERMISSION OF SYNRAD INC.		 SYNRAD INC. 4600 Campus Place Mukilteo, WA 98275 Phone: (425)349-3500 Fax: (425)349-3667	
.x = ±0.1 ANGLE = ±0.5°					
.xx = ±0.01					
.xxx = ±0.005		DESCRIPTION: OUTLINE & MOUNTING - FLYER, V30			
MATERIAL: SEE BOM					
FINISH:		PART NUMBER: 300-19676-30		DWG/FILE NUMBER: 300-19676-30	
		SHEET 1 of 1		ENG:	
		UNITS:Inches		CATEGORY:	
		SIZE: B		FINISH CLASS:	
				DATE: 10-23-07	
				CHECKED BY:	
				DATE:	
				APPROVED BY:	
				DATE:	