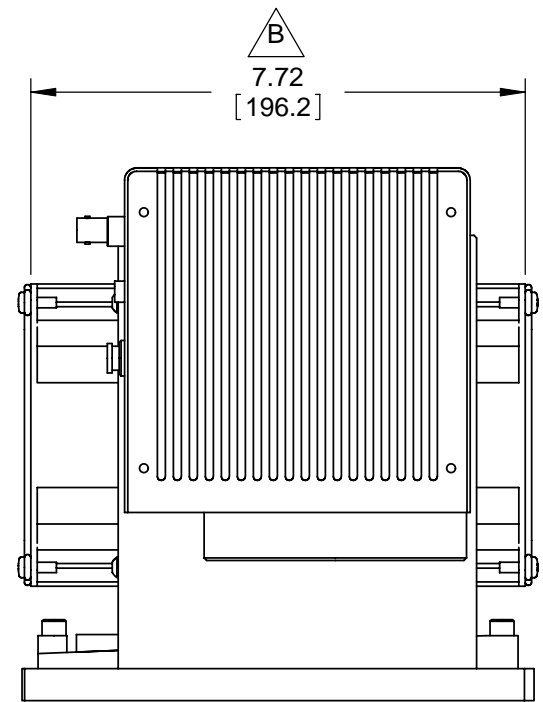
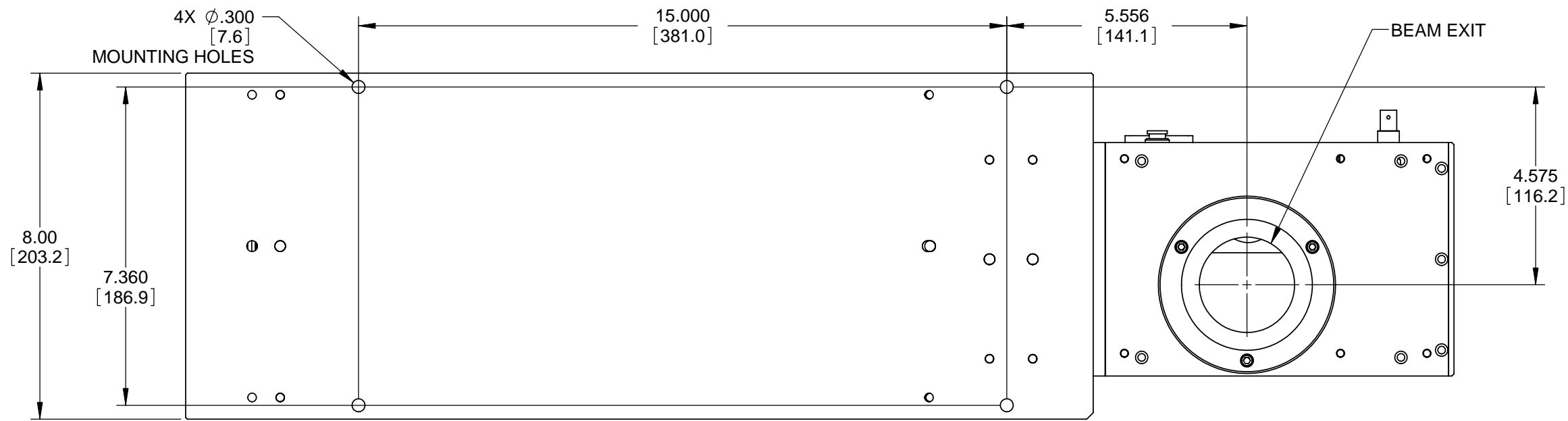
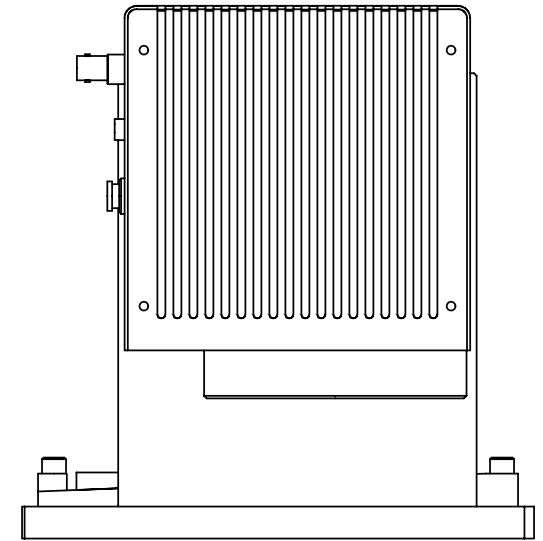
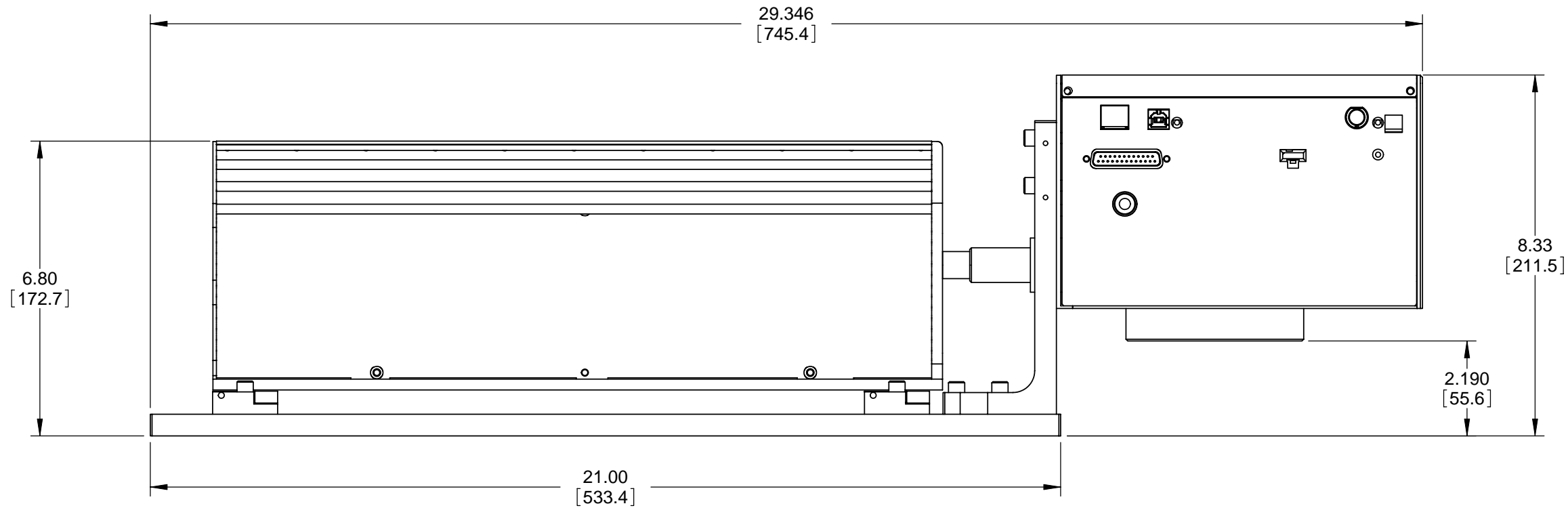


REV	ECO	DATE	DESCRIPTION	DB
B	3989	7-Jan-09	ADD DIM FOR FSV30SF MODEL, MOD NOTE 1	DMD



FSV30SF MODEL ONLY

NOTES:

1. DIMENSIONS SHOWN ARE FOR ALL MODELS EXCEPT WHERE NOTED.

TOLERANCES UNLESS NOTED:	
.x = ± 0.1	ANGLE = ± 0.5°
.xx = ± 0.01	
.xxx = ± 0.005	
MATERIAL: SEE BOM	
FINISH:	
.	
.	
.	

PROPRIETARY
THIS DRAWING IS PROPRIETARY TO
SYNRAD INC. AND SHALL NOT BE
USED OR DISCLOSED IN WHOLE
OR IN PART WITHOUT WRITTEN
PERMISSION OF SYNRAD INC.



SYNRAD INC.
4600 Campus Place
Mukilteo, WA 98275
Phone: (425)349-3500
Fax: (425)349-3667

DESCRIPTION: OUTLINE & MOUNTING - FLYER, V30			
PART NUMBER: 300-19676-30		DWG/FILE NUMBER: 300-19676-30	
SHEET 1 of 1	ENG: RLS	DRAWN BY: RLS	DATE: 10-23-07
UNITS: Inches	CATEGORY:	CHECKED BY:	DATE:
SIZE: B	FINISH CLASS:	APPROVED BY:	DATE: