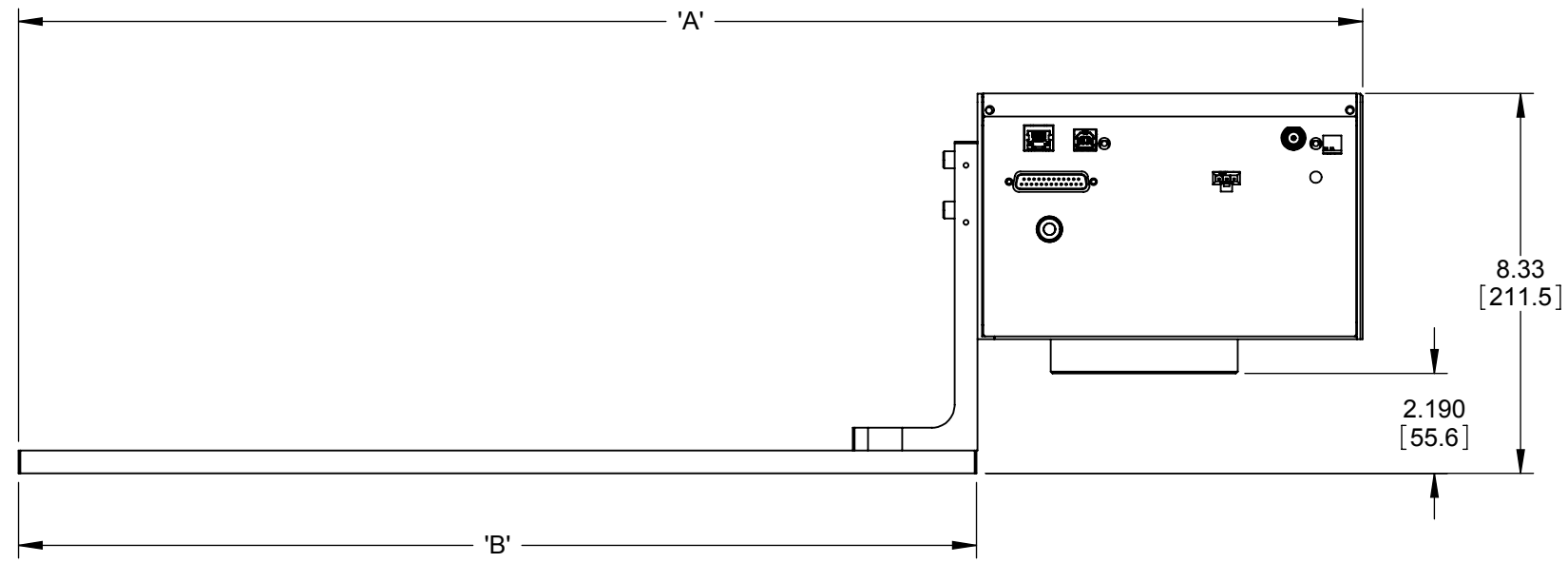


REV	ECO	DATE	DESCRIPTION	DB
A	4206	21-Apr-10	RELEASE TO PRODUCTION	DMD
B	4215	6-May-10	ADD NOTES AND TABLE	DMD
.



STANDARD ORIENTATION

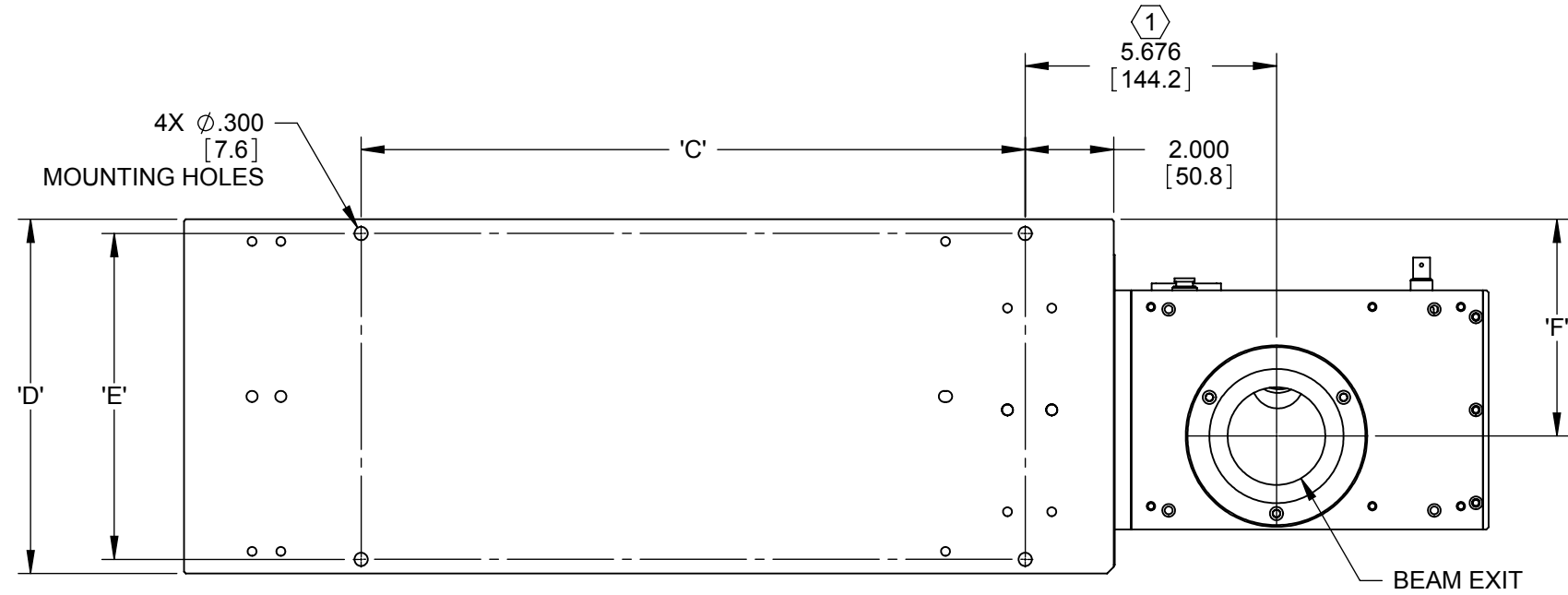
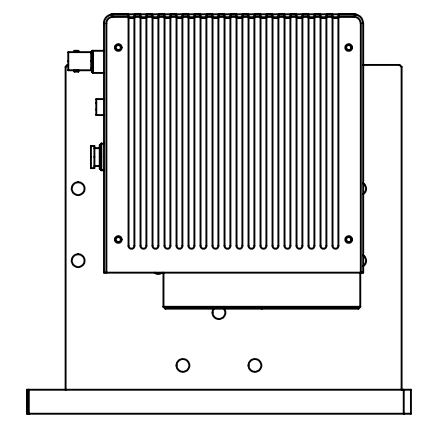


TABLE						
LASER	DIM 'A'	DIM 'B'	DIM 'C'	DIM 'D'	DIM 'E'	DIM 'F'
48-1	29.260 [743.2]	20.79 [528.1]	18.00 [457.2]	7.80 [198.1]	6.00 [152.4]	4.491 [114.1]
48-2	43.570 [1106.7]	34.79 [883.7]	24.00 [609.6]	7.80 [198.1]	6.00 [152.4]	4.491 [114.1]
48-5	46.870 [1190.5]	38.00 [965.2]	35.00 [889.0]	8.14 [206.8]	7.50 [190.5]	4.031 [102.4]
v30	29.466 [748.4]	21.00 [533.4]	15.00 [381.0]	8.00 [203.2]	7.360 [186.9]	4.895 [124.3]
v40, f100 t60/t80/t100 t70i, ti60/ti100	38.47 [977.1]	30.00 [762.0]	15.00 [381.0]	9.50 [241.3]	8.860 [225.0]	4.895 [124.3]

- NOTES:
- THE CENTER POINT OF FLYER'S BEAM EXIT USING A 4-POSITION L-BRACKET IS MOVED .120" (3.05mm) IN WINMARK PRO'S-X DIRECTION (TOWARDS THE RIGHT, AWAY FROM THE L-BRACKET, WHEN FACING FLYER'S MEMBRANE PANEL).
 - DIMENSIONS IN BRACKETS [] ARE MILLIMETERS.
 - SEE TABLE FOR 'A', 'B', 'C', 'D', 'E', 'F', 'G', 'H', 'J', & 'K' DIMENSIONS.

TOLERANCES UNLESS NOTED:	
.x = ± .1	ANGLE = ± .5 °
.xx = ± .01	
.xxx = ± .005	
MATERIAL:	
.	
FINISH:	
.	

PROPRIETARY
THIS DRAWING IS PROPRIETARY TO
SYNRAD INC. AND SHALL NOT BE
USED OR DISCLOSED IN WHOLE
OR IN PART WITHOUT WRITTEN
PERMISSION OF SYNRAD INC.

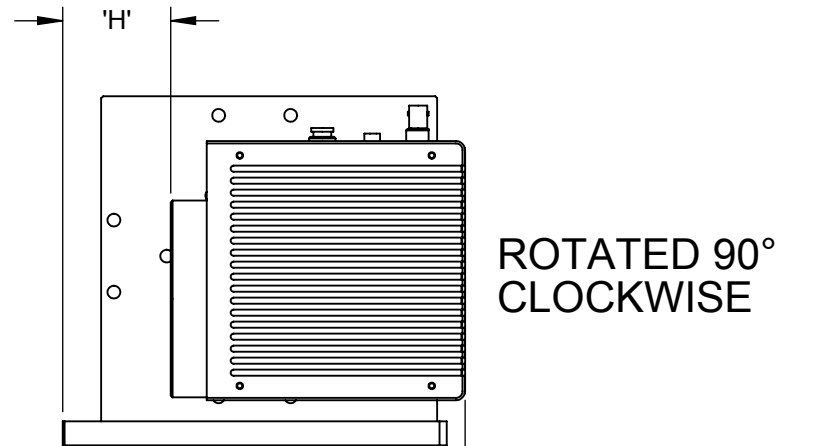
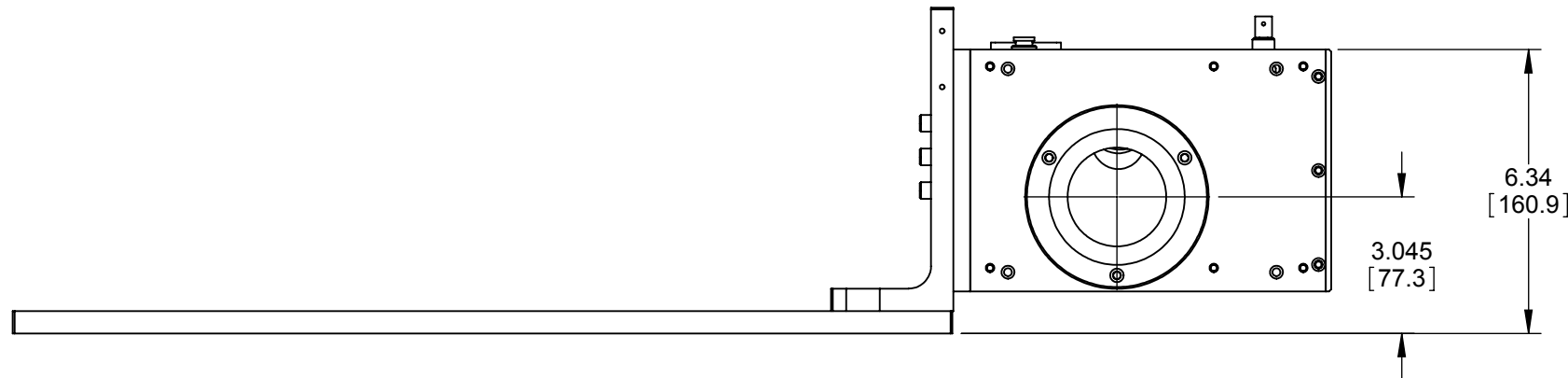
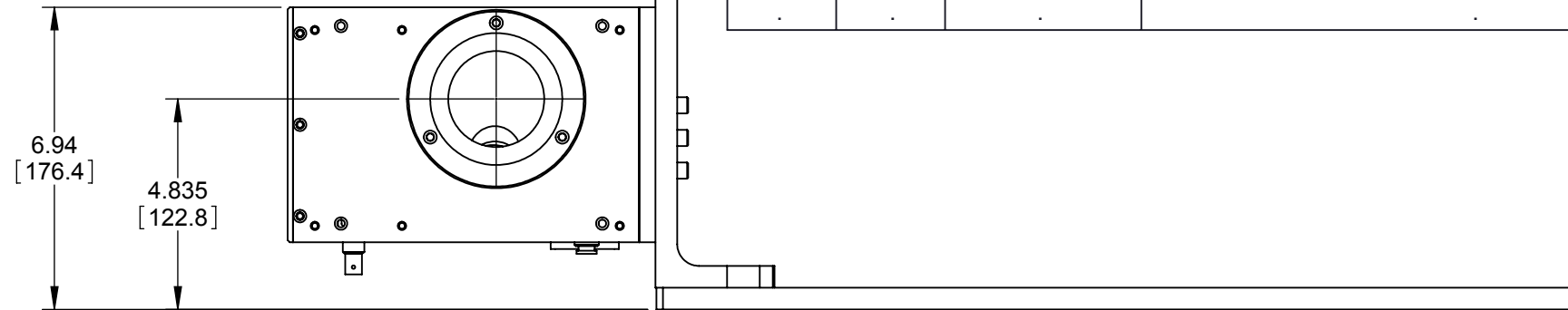
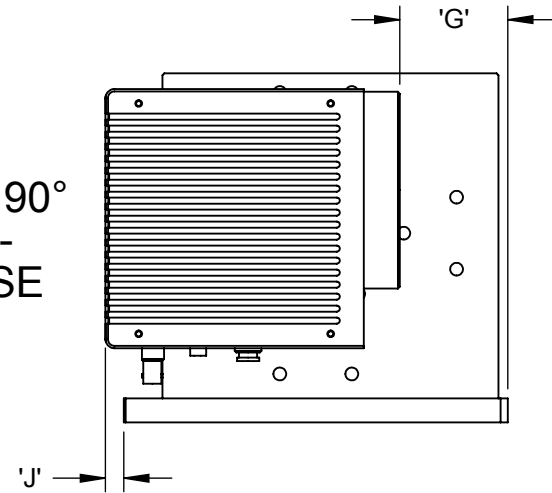


SYNRAD INC.
4600 Campus Place
Mukilteo, WA 98275
Phone: (425)349-3500
Fax: (425)349-3667

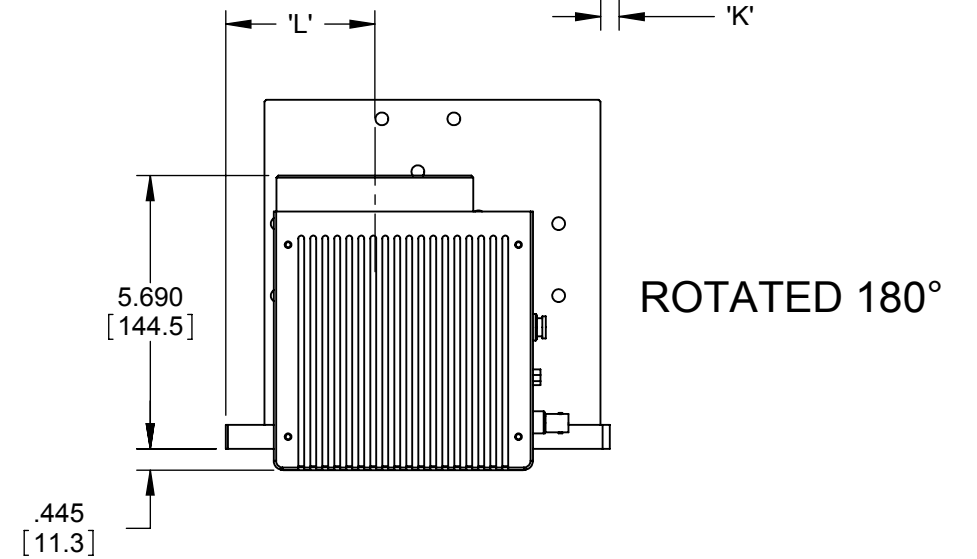
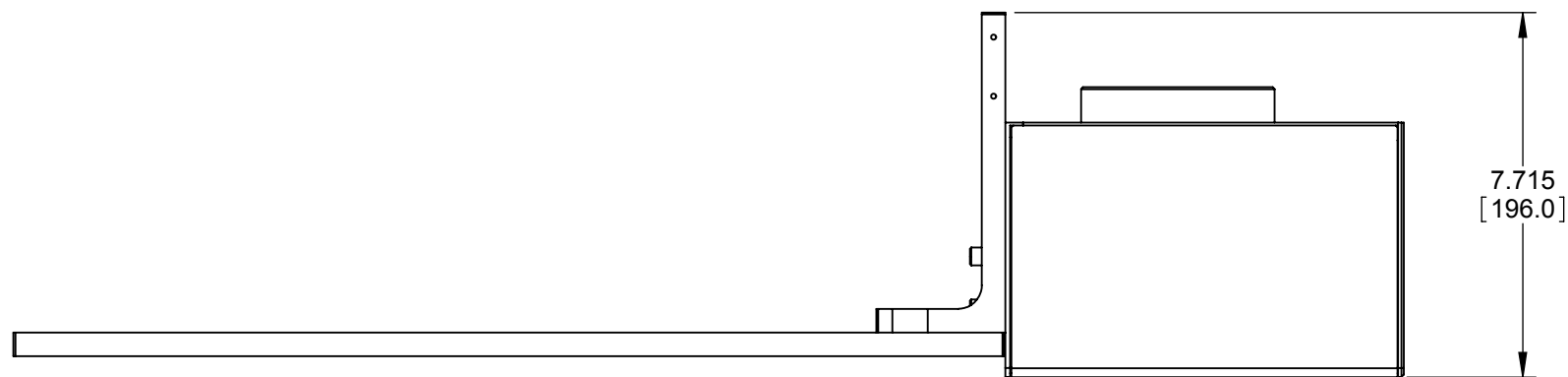
DESCRIPTION: OUTLINE & MOUNTING, FLYER, LASER, 4-POSITION BRACKET			
PART NUMBER: 300-20165-01		DWG/FILE NUMBER: 300-20165-01	
SHEET 1 of 3	ENG: .	DRAWN BY: D. DUVAL	DATE: 20-Apr-10
UNITS: Inches	CATEGORY: .	CHECKED BY:	DATE:
SIZE: B	FINISH CLASS: .	APPROVED BY:	DATE:

REV	ECO	DATE	DESCRIPTION	DB
A	4206	21-Apr-10	RELEASE TO PRODUCTION	DMD
B	4215	6-May-10	ADD NOTES AND TABLE	DMD

ROTATED 90°
COUNTER-
CLOCKWISE



ROTATED 90°
CLOCKWISE



ROTATED 180°

TABLE CONTINUED

LASER	DIM 'G'	DIM 'H'	DIM 'J'	DIM 'K'	DIM 'L'
48-1	2.454 [62.3]	1.846 [46.9]	.789 [20.0]	.181 [4.6]	2.701 [68.6]
48-2	2.454 [62.3]	1.846 [46.9]	.789 [20.0]	.181 [4.6]	2.701 [68.6]
48-5	3.254 [82.7]	1.386 [35.2]	1.249 [31.7]	.619 [15.7]	2.241 [56.9]
v30	2.250 [57.2]	2.250 [57.2]	.385 [9.8]	.385 [9.8]	3.105 [78.9]
v40, f100 t60/t80/t100 t70i, ti60/ti100	3.750 [95.3]	2.250 [57.2]	.385 [9.8]	1.115 [28.3]	3.105 [78.9]

TOLERANCES UNLESS NOTED:	
.x = ± .1	ANGLE = ± .5 °
.xx = ± .01	
.xxx = ± .005	
MATERIAL:	
.	
FINISH:	
.	
.	
.	

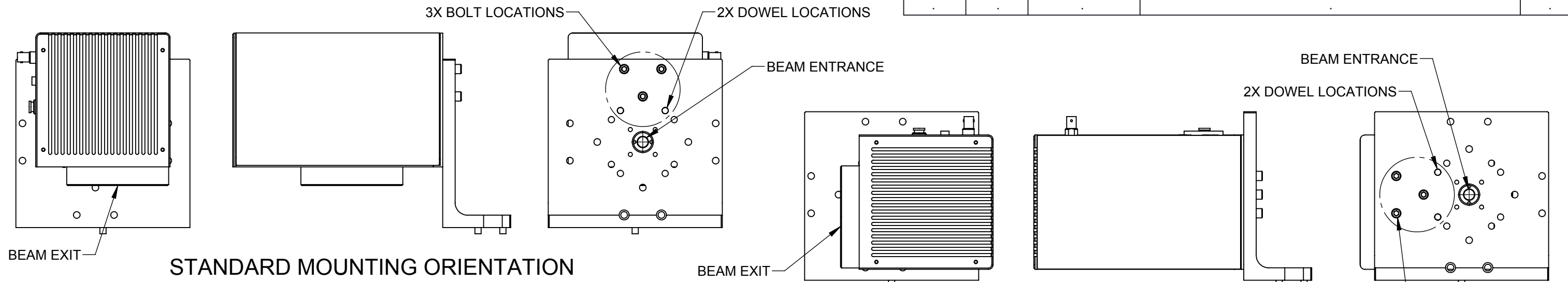
PROPRIETARY
THIS DRAWING IS PROPRIETARY TO
SYNRAD INC. AND SHALL NOT BE
USED OR DISCLOSED IN WHOLE
OR IN PART WITHOUT WRITTEN
PERMISSION OF SYNRAD INC.



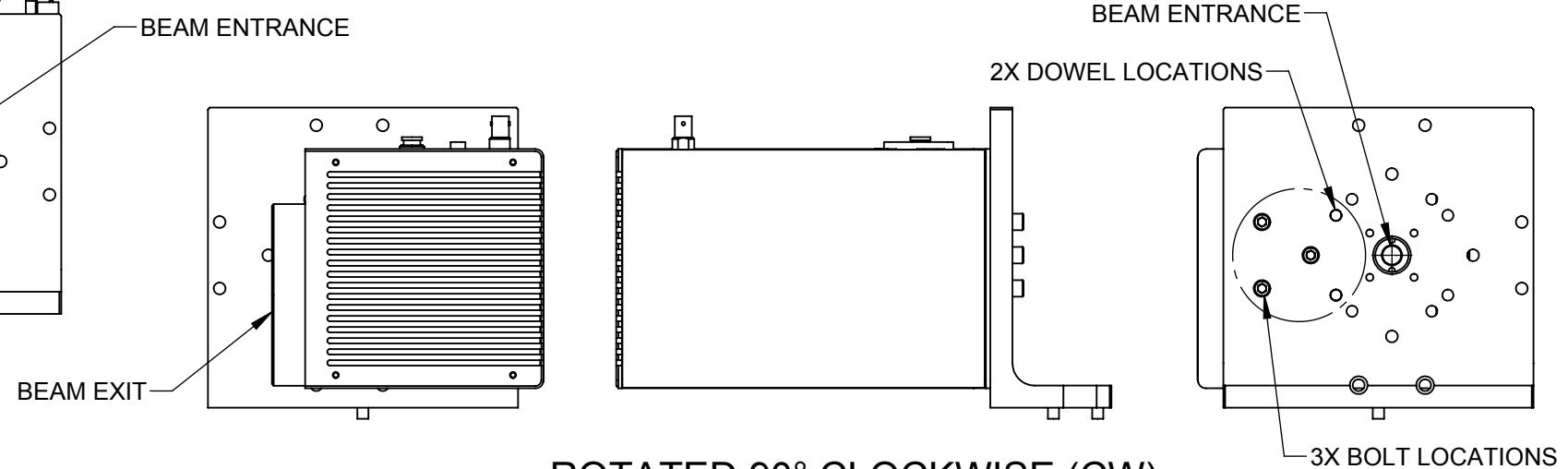
SYNRAD INC.
4600 Campus Place
Mukilteo, WA 98275
Phone: (425)349-3500
Fax: (425)349-3667

DESCRIPTION: OUTLINE & MOUNTING, FLYER, LASER, 4-POSITION BRACKET			
PART NUMBER: 300-20165-01		DWG/FILE NUMBER: 300-20165-01	
SHEET 2 of 3	ENG: .	DRAWN BY: D. DUVAL	DATE: 20-Apr-10
UNITS: Inches	CATEGORY: .	CHECKED BY:	DATE:
SIZE: B	FINISH CLASS: .	APPROVED BY:	DATE:

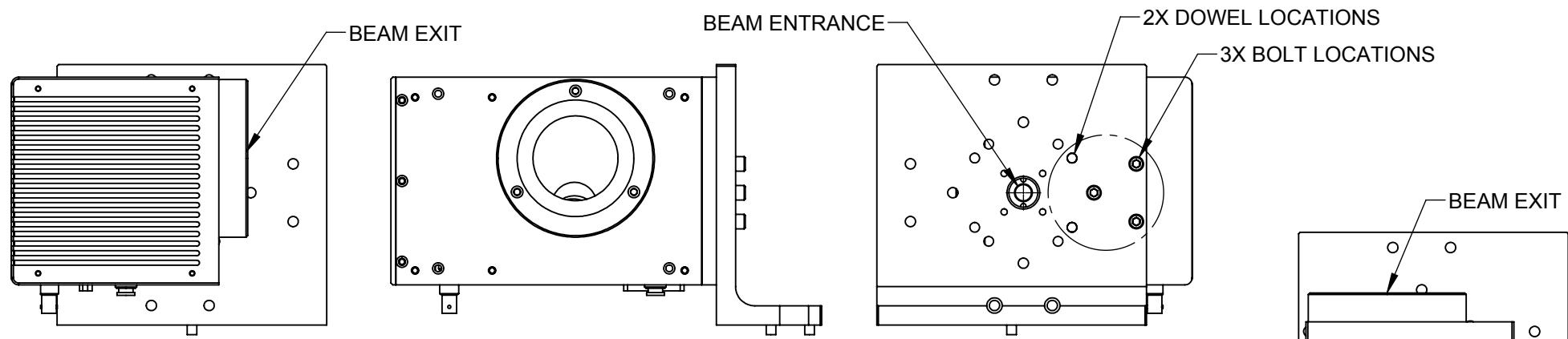
REV	ECO	DATE	DESCRIPTION	DB
A	4206	21-Apr-10	RELEASE TO PRODUCTION	DMD
B	4215	6-May-10	ADD NOTES AND TABLE	DMD



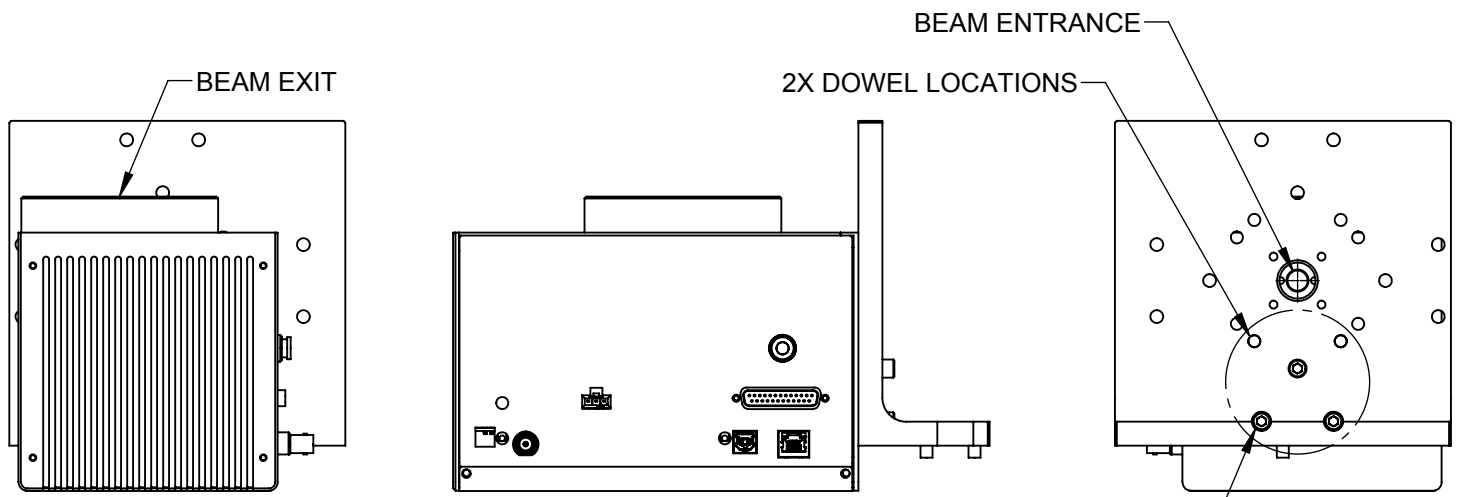
STANDARD MOUNTING ORIENTATION



ROTATED 90° CLOCKWISE (CW)



ROTATED 90° COUNTER-CLOCKWISE (CCW)



ROTATED 180°

TOLERANCES UNLESS NOTED:

.x = ± .1	ANGLE = ± .5 °
.xx = ± .01	
.xxx = ± .005	

MATERIAL:

FINISH:

PROPRIETARY
THIS DRAWING IS PROPRIETARY TO
SYNRAD INC. AND SHALL NOT BE
USED OR DISCLOSED IN WHOLE
OR IN PART WITHOUT WRITTEN
PERMISSION OF SYNRAD INC.



SYNRAD INC.
4600 Campus Place
Mukilteo, WA 98275
Phone: (425)349-3500
Fax: (425)349-3667

DESCRIPTION: OUTLINE & MOUNTING, FLYER, LASER, 4-POSITION BRACKET			
PART NUMBER:	300-20165-01	DWG/FILE NUMBER:	300-20165-01
SHEET 3 of 3	ENG: .	DRAWN BY: D. DUVAL	DATE: 20-Apr-10
UNITS: Inches	CATEGORY: .	CHECKED BY:	DATE:
SIZE: B	FINISH CLASS: .	APPROVED BY:	DATE: