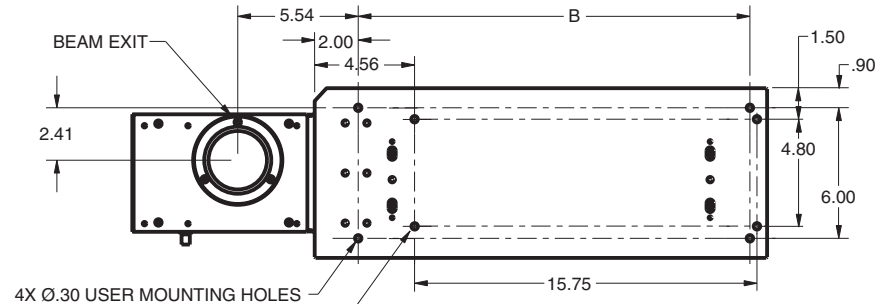
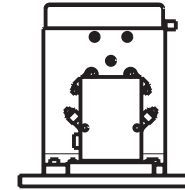
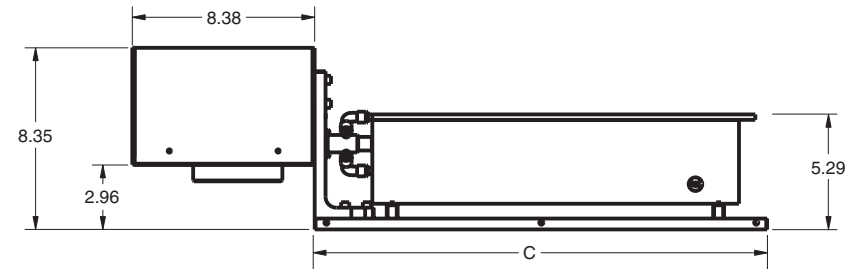
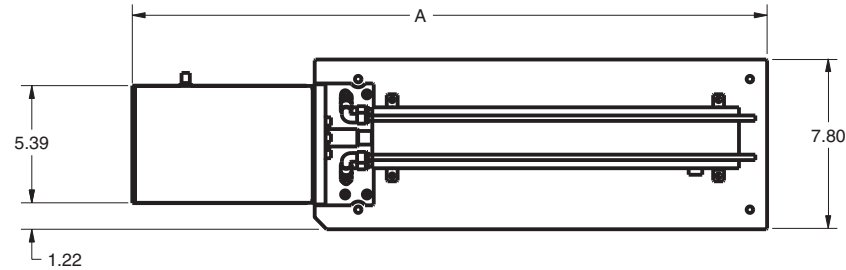


REV	ECO	DATE	DESCRIPTION	DB
B	1575	29-Feb-00	UPDATED MOUNTING RAIL	@



4X Ø.34 80/20 MOUNTING HOLES SYMMETRICAL TO CL OF PLATE

PART NUMBER	DESCRIPTION	A	B	C	PAGE
230-18120-01	48-1	29.17	18.00	20.79	1
230-18120-03	48-1 WITH FANS	29.17	18.00	20.79	2
230-18120-02	48-2	43.17	24.00	34.79	1
230-18120-04	48-2 WITH FANS	43.17	24.00	34.79	2

NOTES:
1. 48-1 WATER AND AIR (NON FAN) WILL MOUNT TO A 48-2 RAIL

TOLERANCES UNLESS NOTED:	
.x = ±0.1	ANGLE = ±2.0°
.xx = ±0.02	
.xxx = ±0.005	
MATERIAL:	
.	
.	
FINISH:	
.	
.	
.	

PROPRIETARY
THIS DRAWING IS PROPRIETARY TO SYNRAD INC. AND SHALL NOT BE USED OR DISCLOSED IN WHOLE OR IN PART WITHOUT WRITTEN PERMISSION OF SYNRAD INC.



SYNRAD INC.
4600 Campus Place
Mukilteo, WA 98275
Phone: (425)349-3500
Fax: (425)349-3667

DESCRIPTION: **OUTLINE AND MOUNTING, RAIL, 48-1/2 FH SERIES**

PART NUMBER: SEE TABLE	DWG/FILE NUMBER: 300-18120-00
SHEET 1 OF 2	DB: ***
UNITS: INCHES	CHECKED BY:
SIZE: B	APPROVED BY:
CATEGORY:	DATE: 19-Jul-99
FINISH CLASS:	DATE:

Pro/E