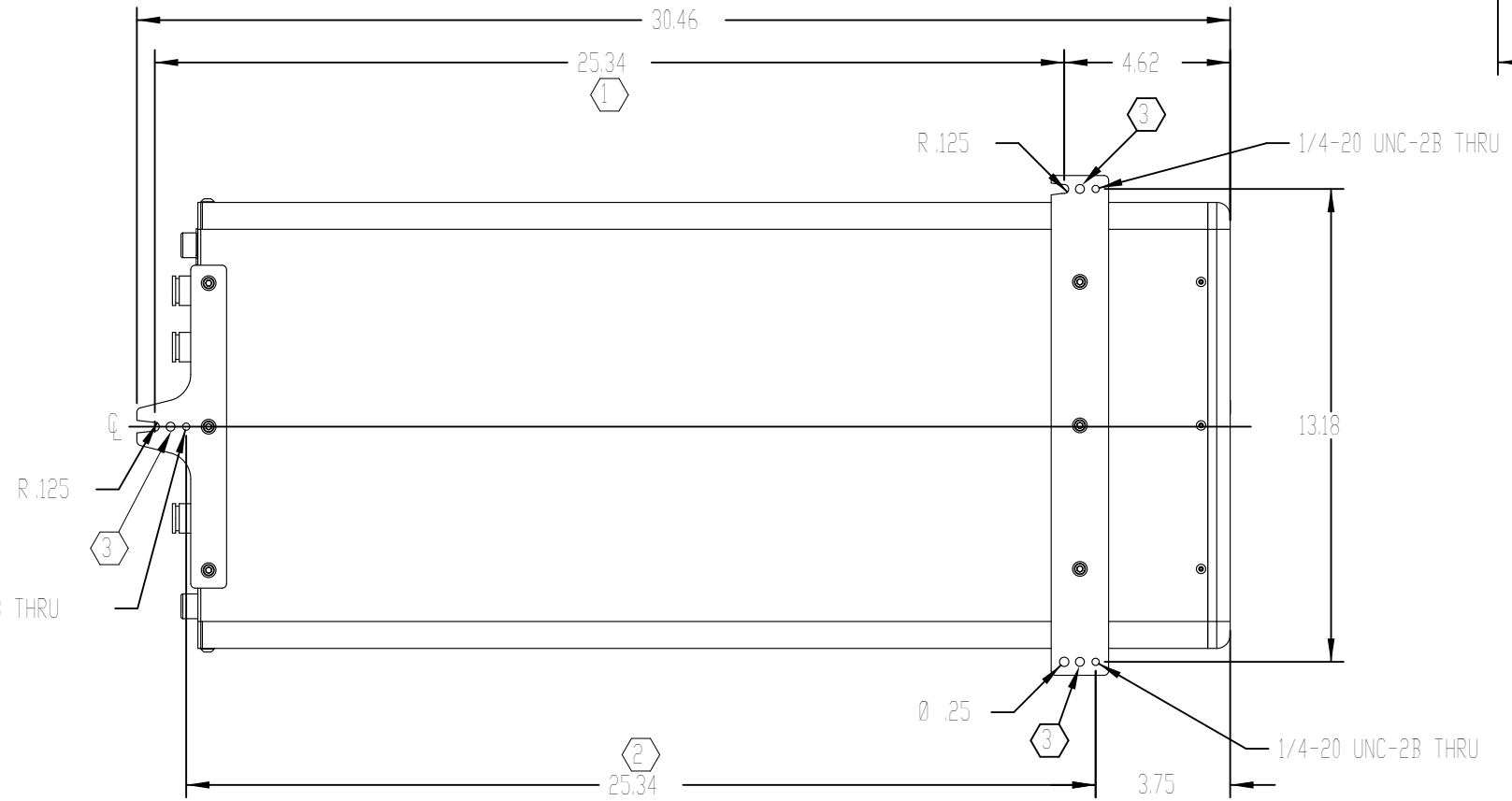
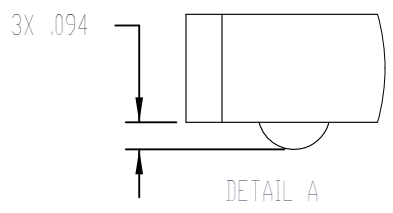
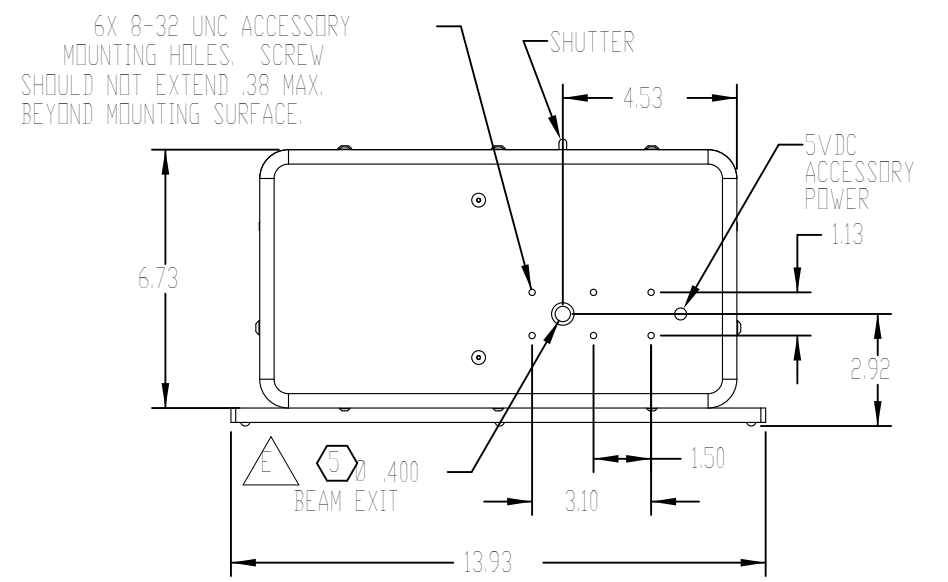
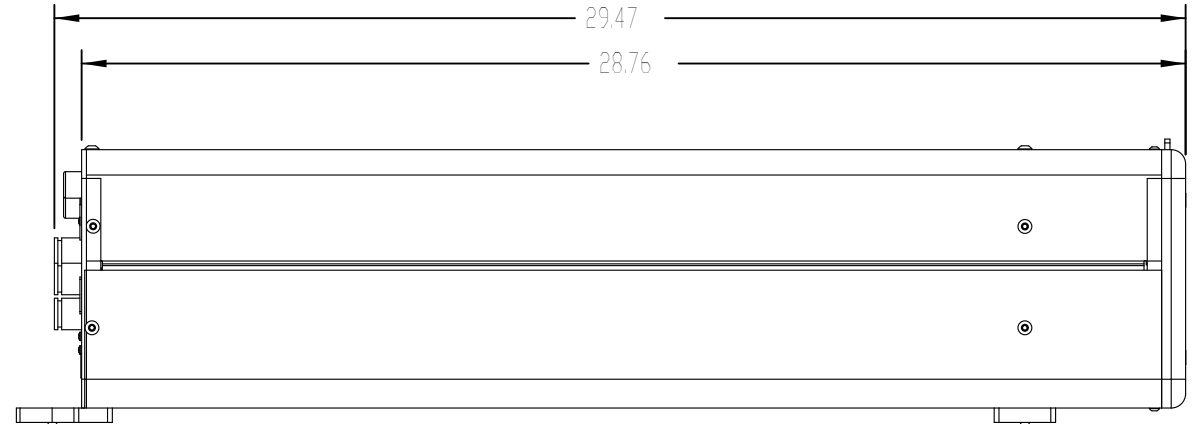
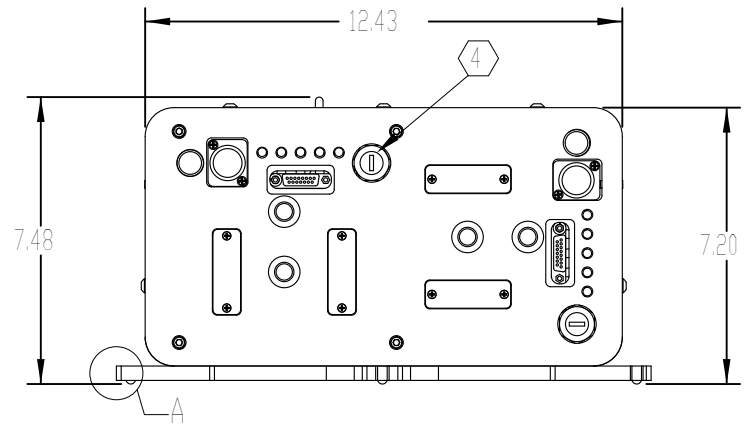


REV	ECO	DATE	DESCRIPTION	DB
D	3912	14-Aug-08	ADD BEAM EXIT, CONVERT TO SOLIDWORKS	DMD
E	4107	9-Sep-09	ADD NOTE 5	DMD



PART NUMBER	MODEL
FSF200K	KEY
FSF200S	DEM

- NOTES:
- 1 THIS MOUNTING HOLE PATTERN USED WHEN TOP ACCESS FASTENING DESIRED.
  - 2 THIS MOUNTING PATTERN USED WHEN BOTTOM ACCESS FASTENING DESIRED.
  - 3 HARDENED BALL MOUNTING POINT, 3X. BALL Ø.250.
  - 4 KEYSWITCH VERSION ONLY.
  - 5 BEAM PATH MAY NOT BE CENTERED OR PERPENDICULAR TO FACEPLATE APERTURE.

TOLERANCES UNLESS NOTED:	
.x = ± 0.1	ANGLE = ± 2.0 °
.xx = ± 0.01	
.xxx = ± 0.005	
MATERIAL:	
FINISH:	

PROPRIETARY  
THIS DRAWING IS PROPRIETARY TO  
SYNRAD INC. AND SHALL NOT BE  
USED OR DISCLOSED IN WHOLE  
OR IN PART WITHOUT WRITTEN  
PERMISSION OF SYNRAD INC.

DESCRIPTION:  
**OUTLINE & MOUNTING, F200**

PART NUMBER: SEE TABLE

SHEET 1 of 1

UNITS: Inches

SIZE: B

SYNRAD INC.  
4600 Campus Place  
Mukilteo, WA 98275  
Phone: (425)349-3500  
Fax: (425)349-3667

DWG/FILE NUMBER: 300-19030-01	
DRAWN BY: E. Stockinger	DATE: 12-Jun-01
CHECKED BY:	DATE:
APPROVED BY:	DATE: