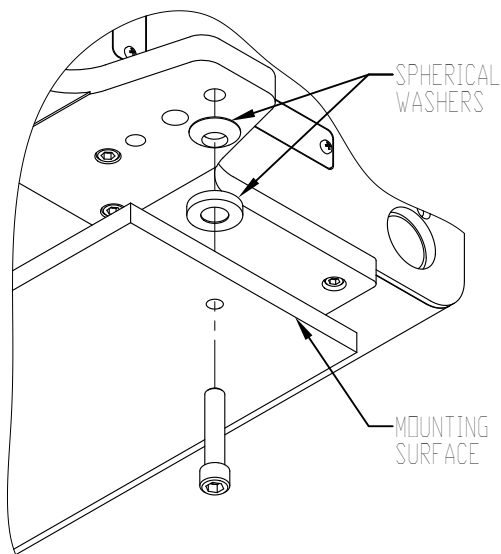
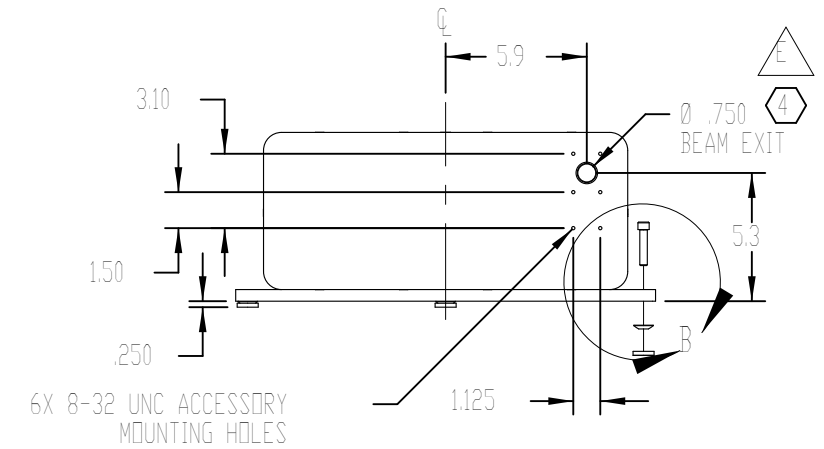
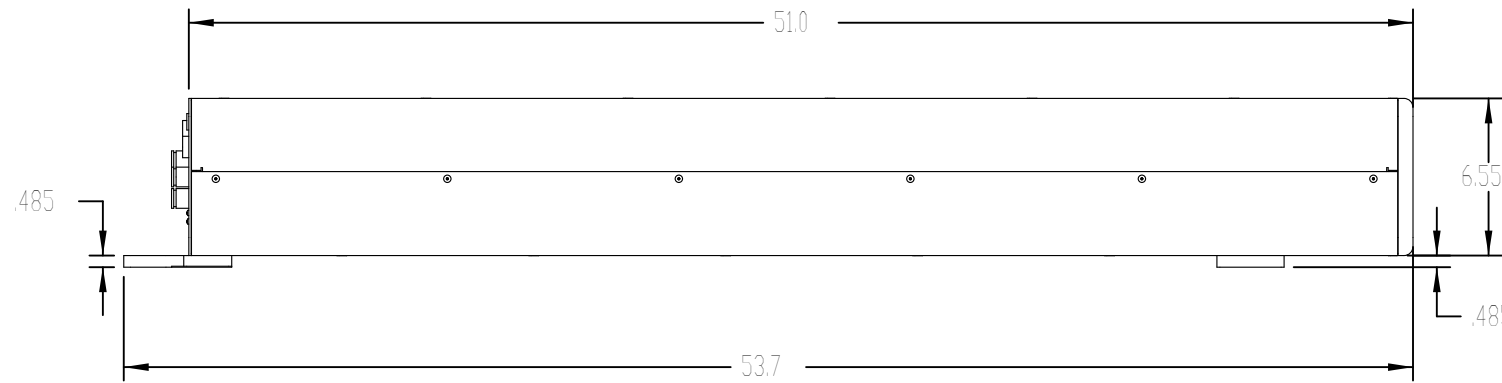
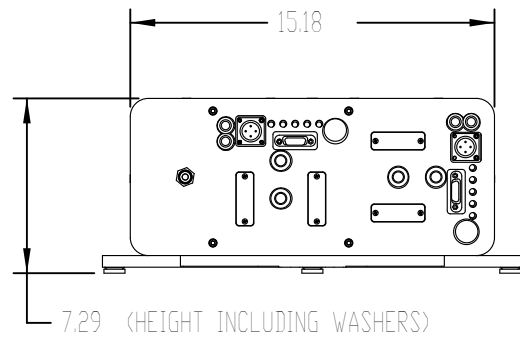


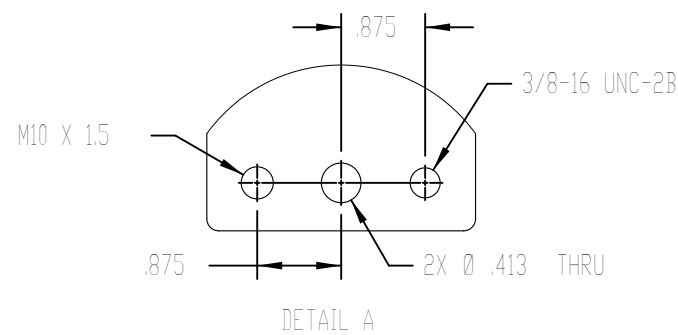
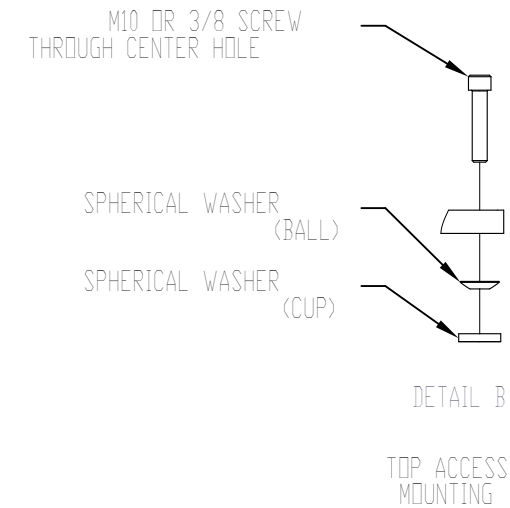
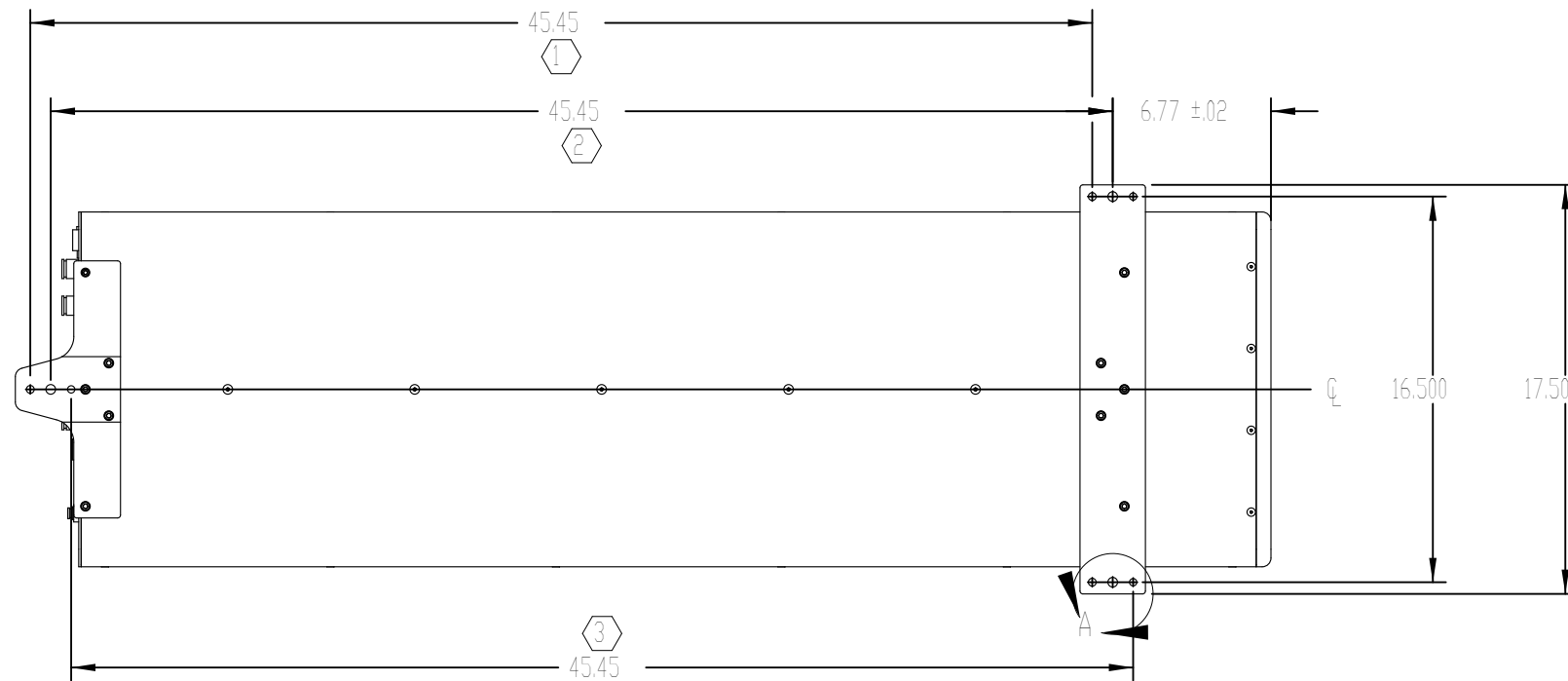
NOTES:

- ① THIS MOUNTING HOLE PATTERN IS USED WHEN BOTTOM ACCESS MOUNTING IS DESIRED WITH M8 FASTENERS.
- ② THIS MOUNTING HOLE PATTERN IS USED WHEN TOP ACCESS MOUNTING IS DESIRED, STANDARD OR METRIC FASTENERS.
- ③ THIS MOUNTING HOLE PATTERN IS USED WHEN BOTTOM ACCESS MOUNTING IS DESIRED WITH 5/16-18 FASTENERS.
- △ THIS MOUNTING HOLE PATTERN IS USED WHEN TOP ACCESS MOUNTING IS DESIRED WITH 5/16-18 FASTENERS.

REV	ECD	DATE	DESCRIPTION	DB
D	3912	15-Aug-08	ADD BEAM EXIT, CONVERT TO SOLIDWORKS	DMD
E	4107	9-Sep-09	ADD NOTE 4	DMD



BOTTOM ACCESS MOUNTING



TOLERANCES UNLESS NOTED:	
.x = ± 0.1	ANGLE = ± 0.5 °
.xx = ± 0.01	
.xxx = ± 0.005	
MATERIAL:	
FINISH:	

PROPRIETARY  
THIS DRAWING IS PROPRIETARY TO  
SYNRAD INC. AND SHALL NOT BE  
USED OR DISCLOSED IN WHOLE  
OR IN PART WITHOUT WRITTEN  
PERMISSION OF SYNRAD INC.

**SYNRAD** INC.  
4600 Campus Place  
Mukilteo, WA 98275  
Phone: (425)349-3500  
Fax: (425)349-3667

DESCRIPTION: <b>OUTLINE &amp; MOUNTING, F400</b>			
PART NUMBER:	300-19106-01	DWG/FILE NUMBER:	300-19106-01
SHEET	1 of 1	ENG:	
UNITS:	Inches	CATEGORY:	
SIZE:	B	FINISH CLASS:	
DRAWN BY:	E. Stockinger	DATE:	12-Mar-04
CHECKED BY:		DATE:	
APPROVED BY:		DATE:	