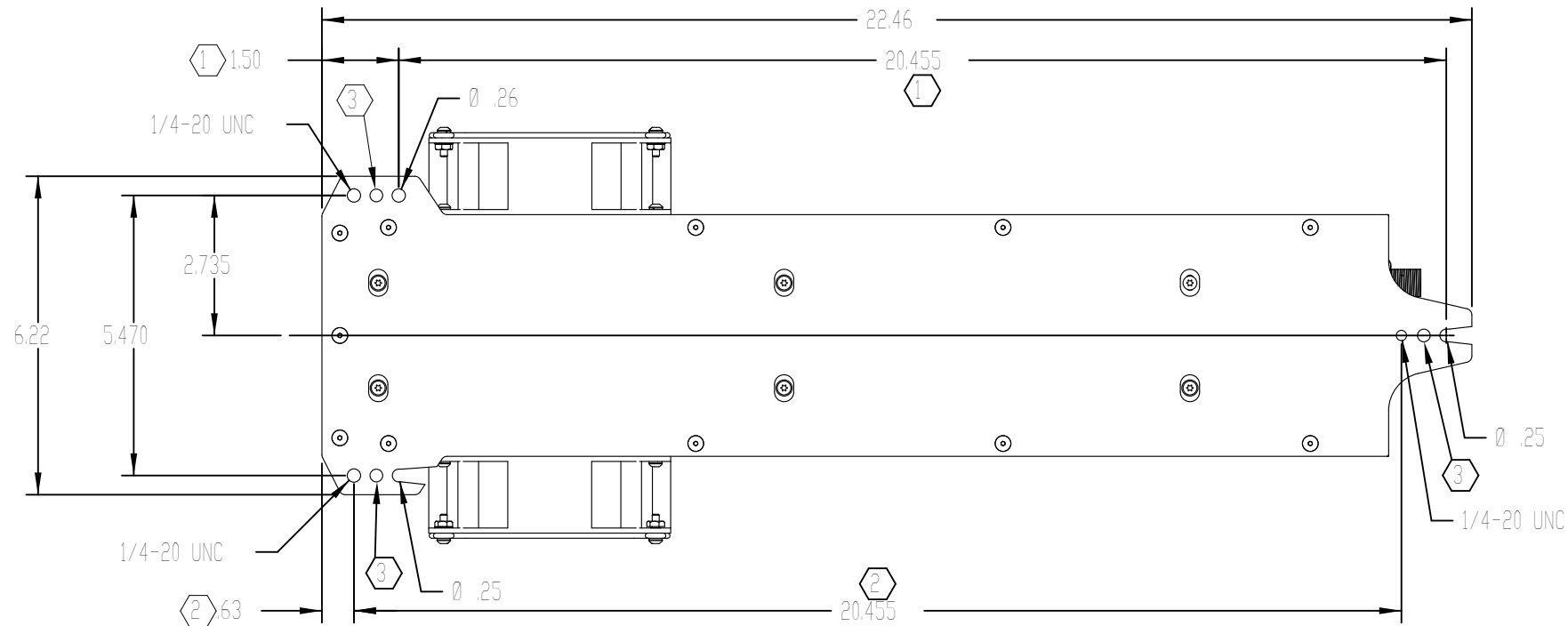
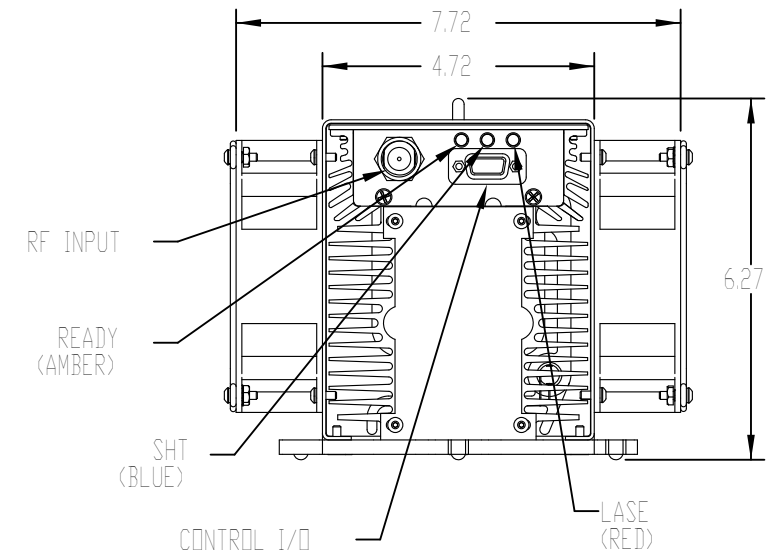
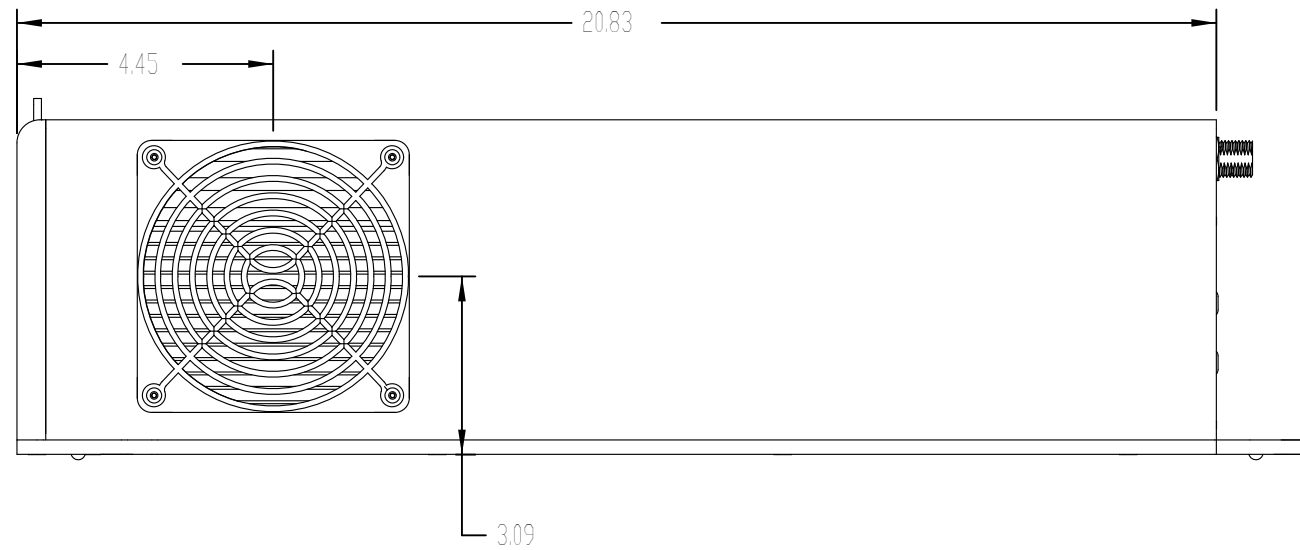
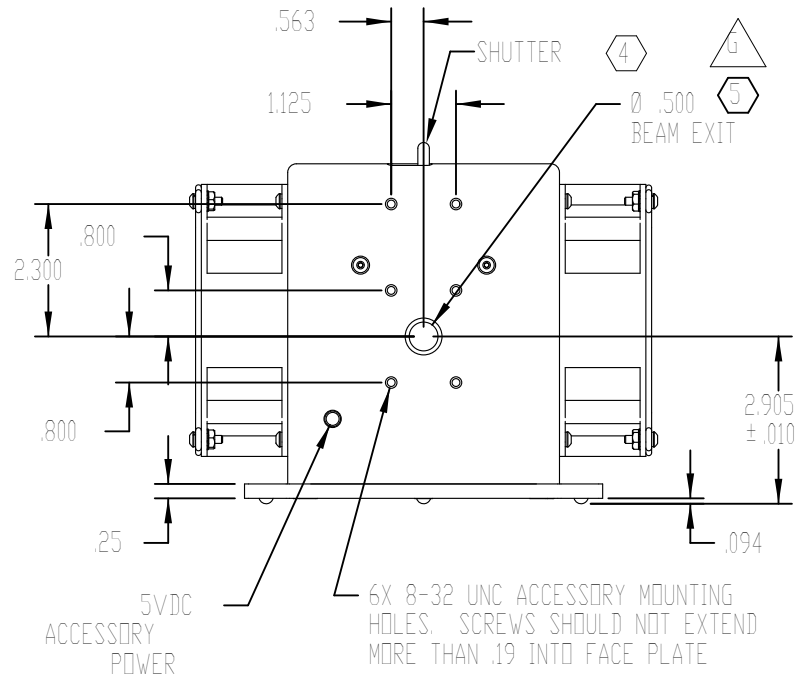



REV	ECO	DATE	DESCRIPTION	DB
F	4044	21-Apr-09	ADD FAN LOCATION DIMENSIONS	DMD
G	4107	8-Sep-09	ADD NOTE 5	DMD



PART NUMBER	MODEL
FST60KF	KEY
FST60SF	DEM

NOTES:

- ① THIS MOUNTING HOLE PATTERN USED WHEN TOP ACCESS FASTENING DESIRED.
- ② THIS MOUNTING PATTERN USED WHEN BOTTOM ACCESS FASTENING DESIRED.
- ③ HARDENED BALL MOUNTING POINT, 3X. (Ø.250 BALL BEARING)
- ④ KEYSWITCH VERSION ONLY.
- ⑤ BEAM PATH MAY NOT BE CENTERED OR PERPENDICULAR TO FACEPLATE APERTURE.

TOLERANCES UNLESS NOTED:		PROPRIETARY THIS DRAWING IS PROPRIETARY TO SYNRAD INC. AND SHALL NOT BE USED OR DISCLOSED IN WHOLE OR IN PART WITHOUT WRITTEN PERMISSION OF SYNRAD INC.		 SYNRAD INC. 4600 Campus Place Mukilteo, WA 98275 Phone: (425)349-3500 Fax: (425)349-3667	
.x = ± 0.1 ANGLE = ± 2.0 °					
.xx = ± 0.03					
.xxx = ± 0.005		MATERIAL:		DESCRIPTION:	
FINISH:		PART NUMBER: SEE TABLE		DWG/FILE NUMBER: 300-18479-01	
SHEET 1 of 1		ENG:		DRAWN BY: C.B. MILLER DATE: 29-Nov-00	
UNITS: Inches		CATEGORY:		CHECKED BY: DATE:	
SIZE: B		FINISH CLASS:		APPROVED BY: DATE:	