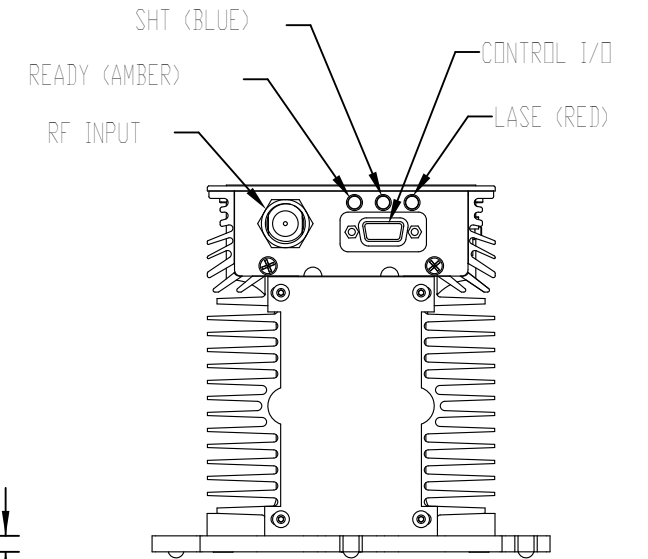
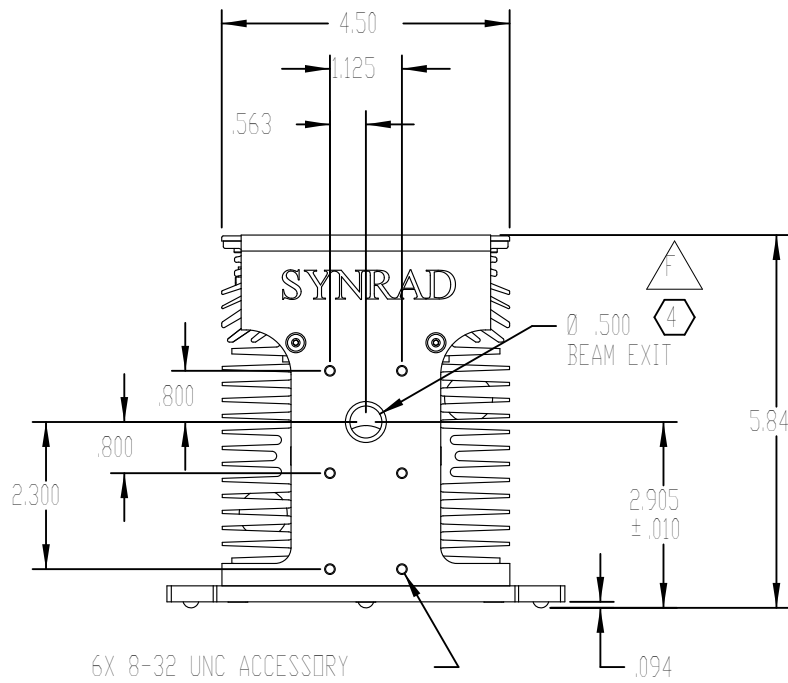
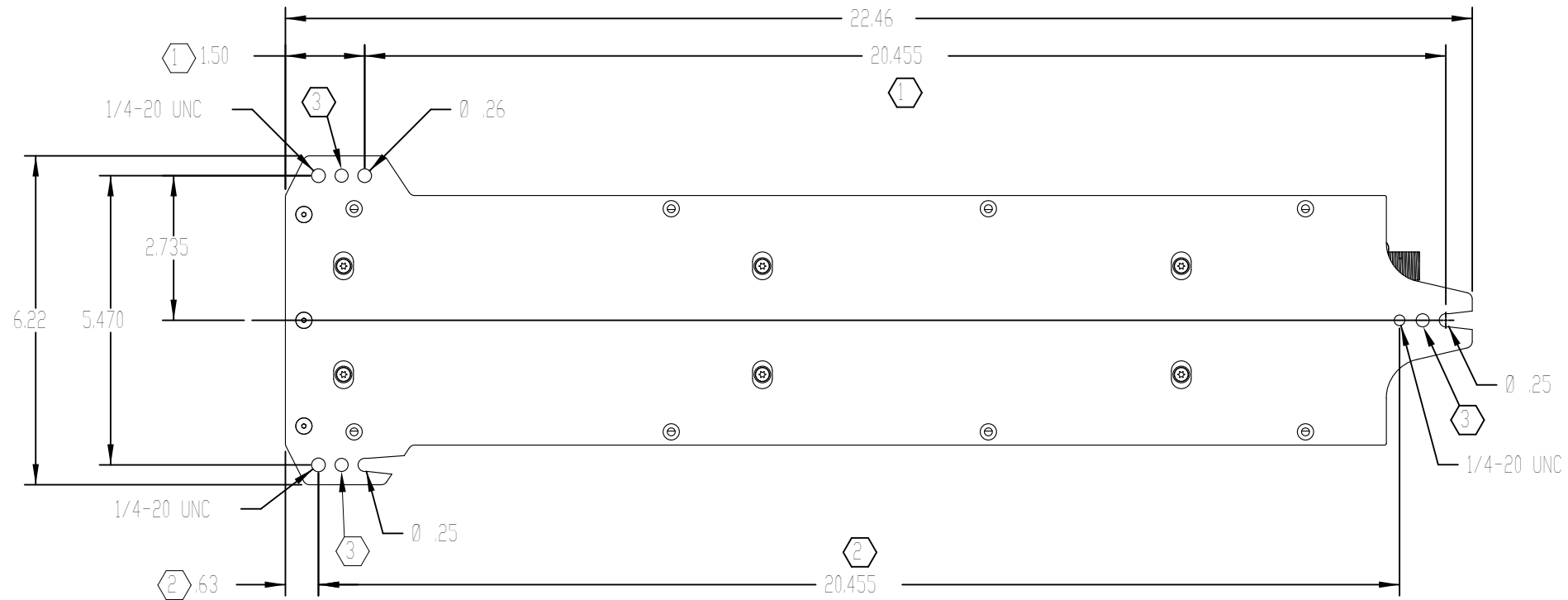


REV	ECO	DATE	DESCRIPTION	DB
E	3912	11-Aug-08	ADD BEAM EXIT, CONVERT TO SOLIDWORKS	DMD
F	4107	8-Sep-09	ADD NOTE 4	DMD



6X 8-32 UNC ACCESSORY MOUNTING HOLES. SCREWS SHOULD NOT EXTEND MORE THAN .19 INTO FACE PLATE

PART NUMBER	MODEL
FST60SA	DEM
FST80SA	DEM
FST100SA	DEM



NOTES:

- ① THIS MOUNTING HOLE PATTERN USED WHEN TOP ACCESS FASTENING DESIRED.
- ② THIS MOUNTING PATTERN USED WHEN BOTTOM ACCESS FASTENING DESIRED.
- ③ HARDENED BALL MOUNTING POINT, 3X. (Ø.250 BALL BEARING)
- ④ BEAM PATH MAY NOT BE CENTERED OR PERPENDICULAR TO FACEPLATE APERTURE.

TOLERANCES UNLESS NOTED:		PROPRIETARY THIS DRAWING IS PROPRIETARY TO SYNRAD INC. AND SHALL NOT BE USED OR DISCLOSED IN WHOLE OR IN PART WITHOUT WRITTEN PERMISSION OF SYNRAD INC.		SYNRAD INC. 4600 Campus Place Mukilteo, WA 98275 Phone: (425)349-3500 Fax: (425)349-3667	
.x = ±0.1	ANGLE = ± 2.0 °	DESCRIPTION: OUTLINE & MOUNTING, AIR-COOLED T60/T80/T100, DEM			
.xx = ± 0.03					
.xxx = ± 0.005					
MATERIAL:		PART NUMBER: SEE TABLE		DWG/FILE NUMBER: 300-18479-02	
FINISH:		SHEET 1 of 1		DRAWN BY: K. JOHNSON	
		UNITS: Inches		CHECKED BY:	
		SIZE: B		DATE: 04-Apr-01	
		FINISH CLASS:		APPROVED BY:	
				DATE:	