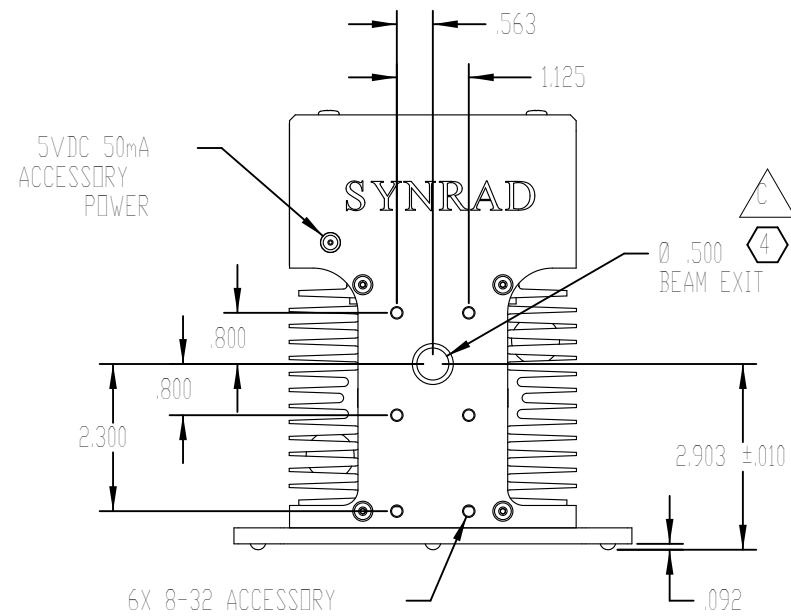
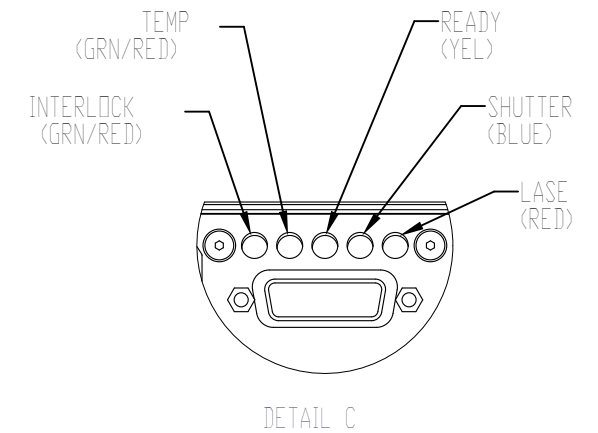
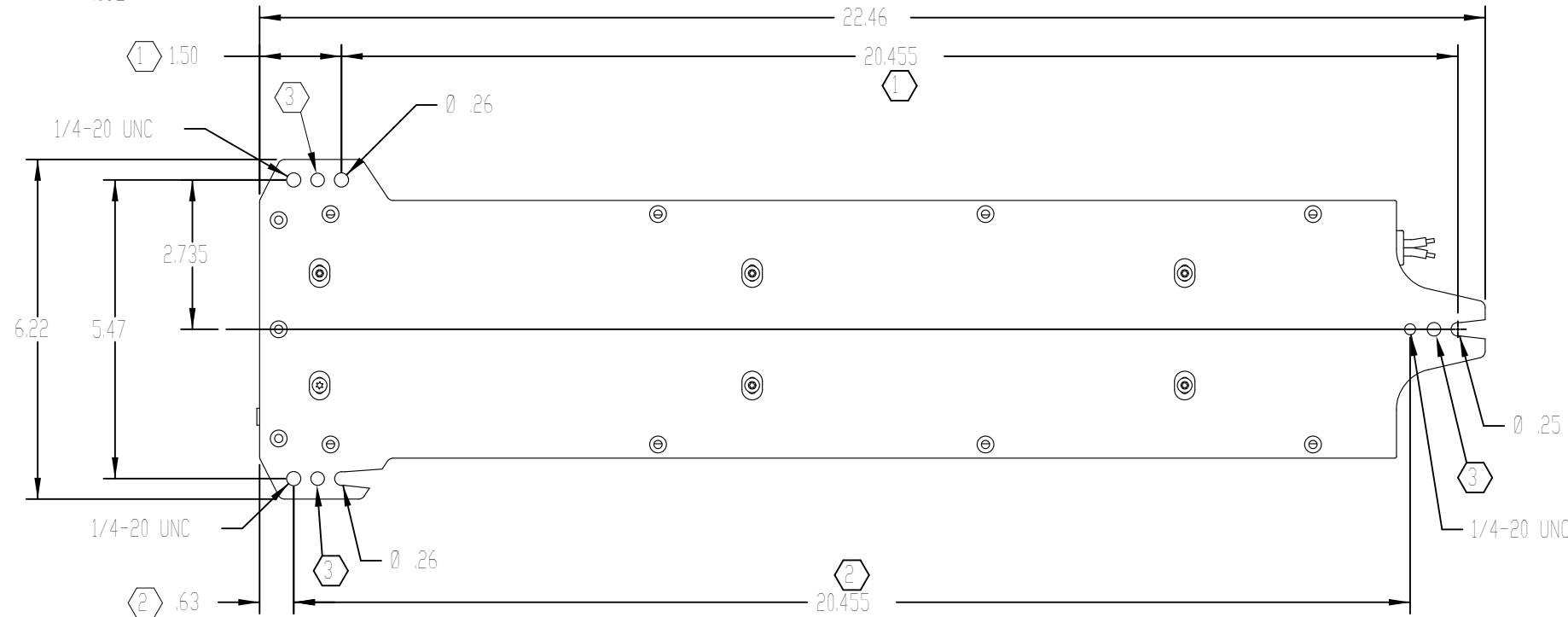
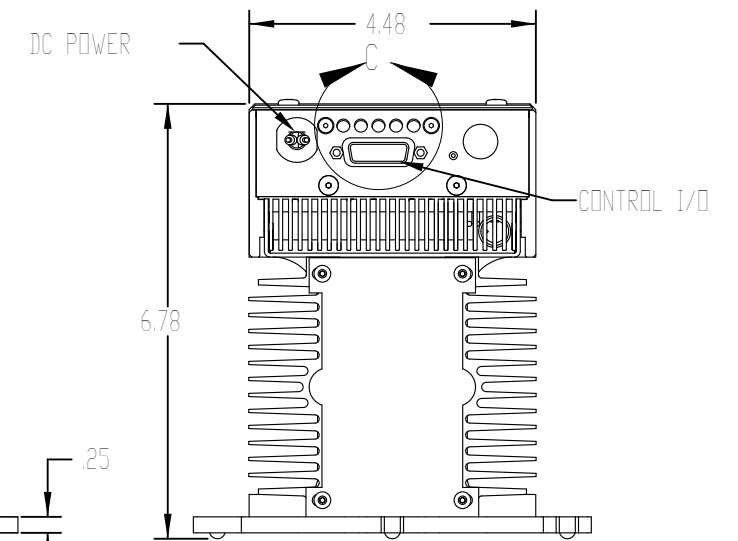
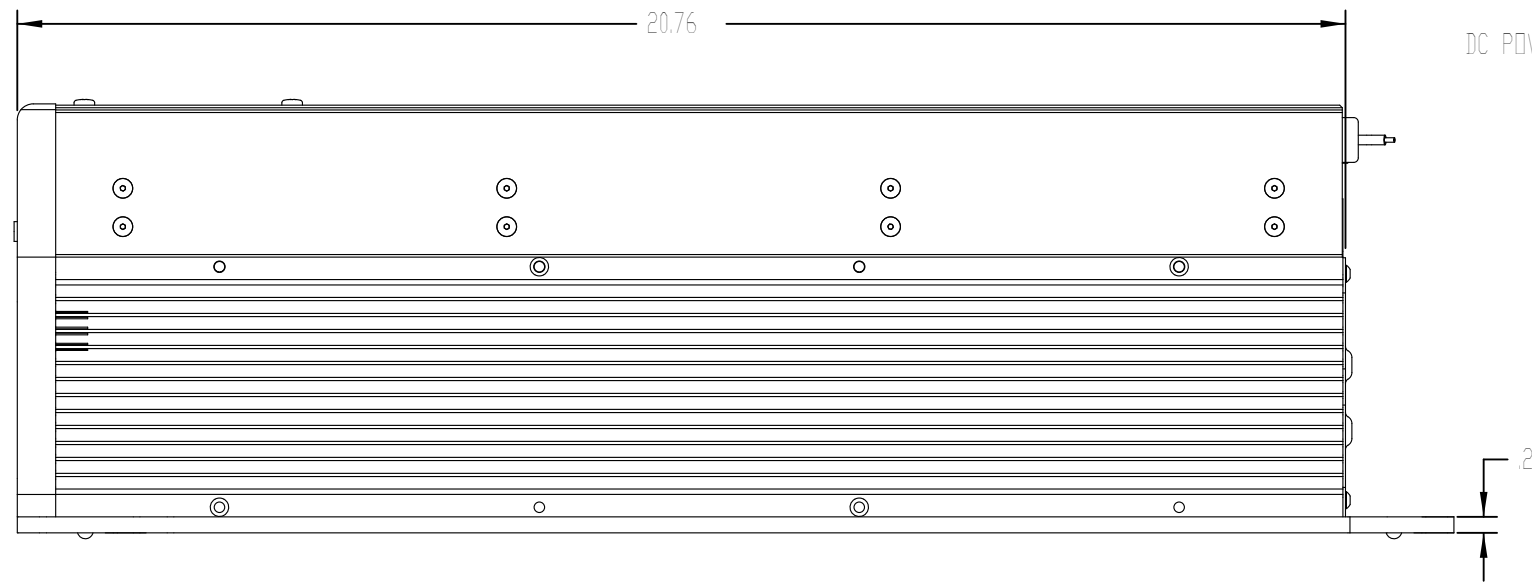


REV	ECD	DATE	DESCRIPTION	DB
B	3912	12-Aug-08	ADD BEAM EXIT Ø	DMD
C	4107	9-Sep-09	ADD NOTE 4	DMD




6X 8-32 ACCESSORY MOUNTING HOLES. SCREWS SHOULD NOT EXTEND MORE THAN .19 INTO FACE PLATE



NOTES:

- 1 THIS MOUNTING HOLE PATTERN USED WHEN TOP ACCESS FASTENING DESIRED.
- 2 THIS MOUNTING HOLE PATTERN USED WHEN BOTTOM ACCESS FASTENING DESIRED.
- 3 HARDENED BALL MOUNTING POINT, 3X (Ø .250 STEEL BALL)
- 4 BEAM PATH MAY NOT BE CENTERED OR PERPENDICULAR TO FACEPLATE APERTURE.

TOLERANCES UNLESS NOTED:		PROPRIETARY THIS DRAWING IS PROPRIETARY TO SYNRAD INC. AND SHALL NOT BE USED OR DISCLOSED IN WHOLE OR IN PART WITHOUT WRITTEN PERMISSION OF SYNRAD INC.		 SYNRAD INC. 4600 Campus Place Mukilteo, WA 98275 Phone: (425)349-3500 Fax: (425)349-3667	
.x = ± 0.1 ANGLE = ± 0.5 °					
.xx = ± 0.01					
.xxx = ± 0.005		DESCRIPTION: OUTLINE & MOUNTING, AIR COOLED, T70i, OEM			
MATERIAL:		PART NUMBER: 300-19745-01		DWG/FILE NUMBER: 300-19745-01	
FINISH:		SHEET 1 of 1		DRAWN BY: RLS	
		UNITS: Inches		DATE: 07-26-07	
		CATEGORY:		CHECKED BY:	
		FINISH CLASS:		APPROVED BY:	
				DATE:	