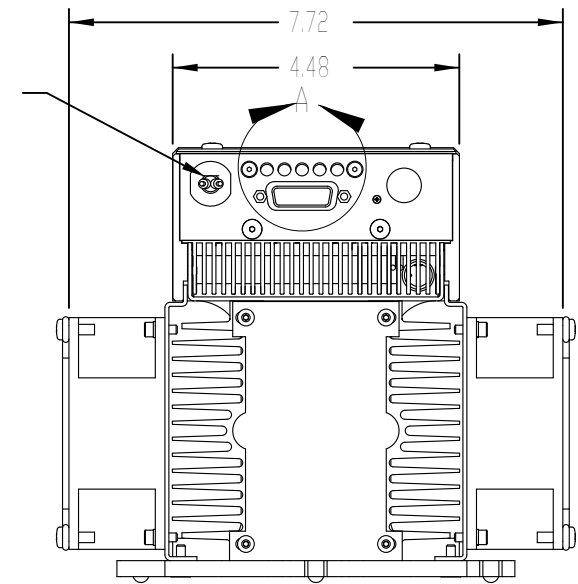
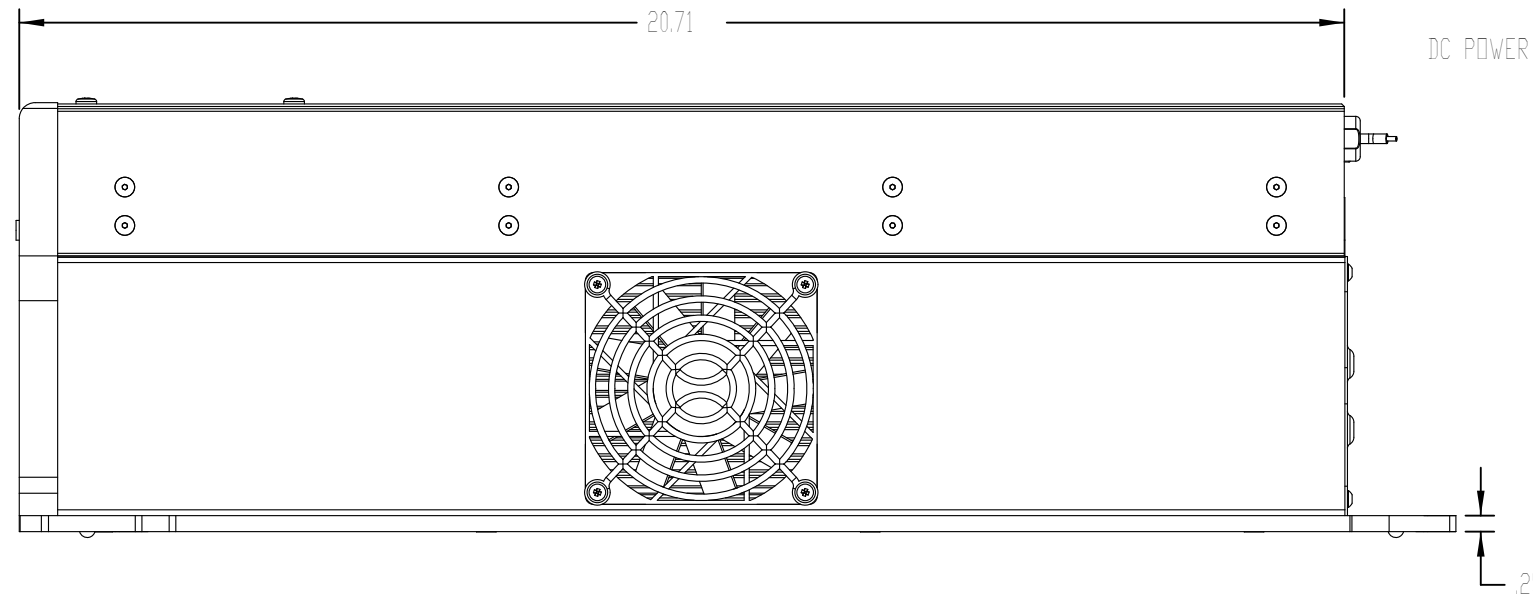
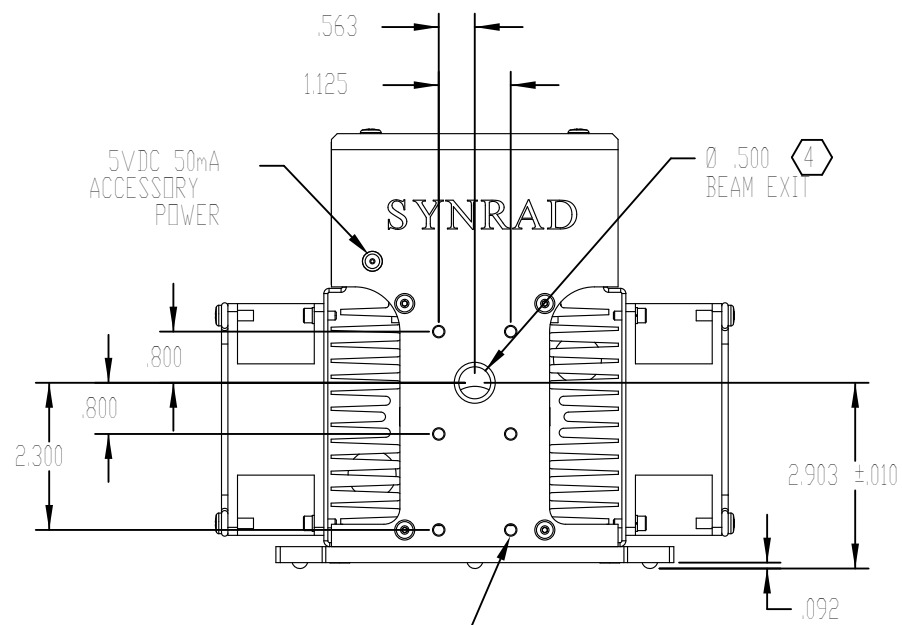
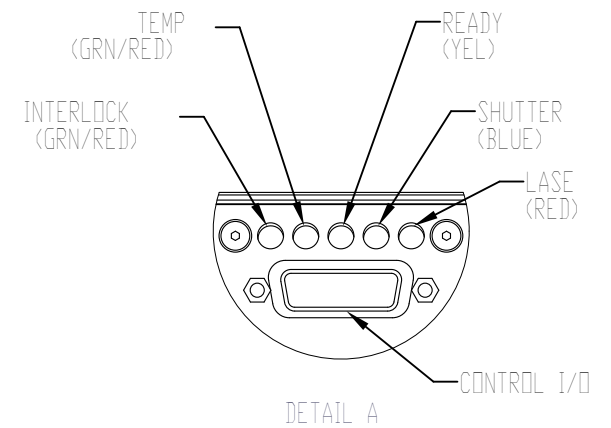
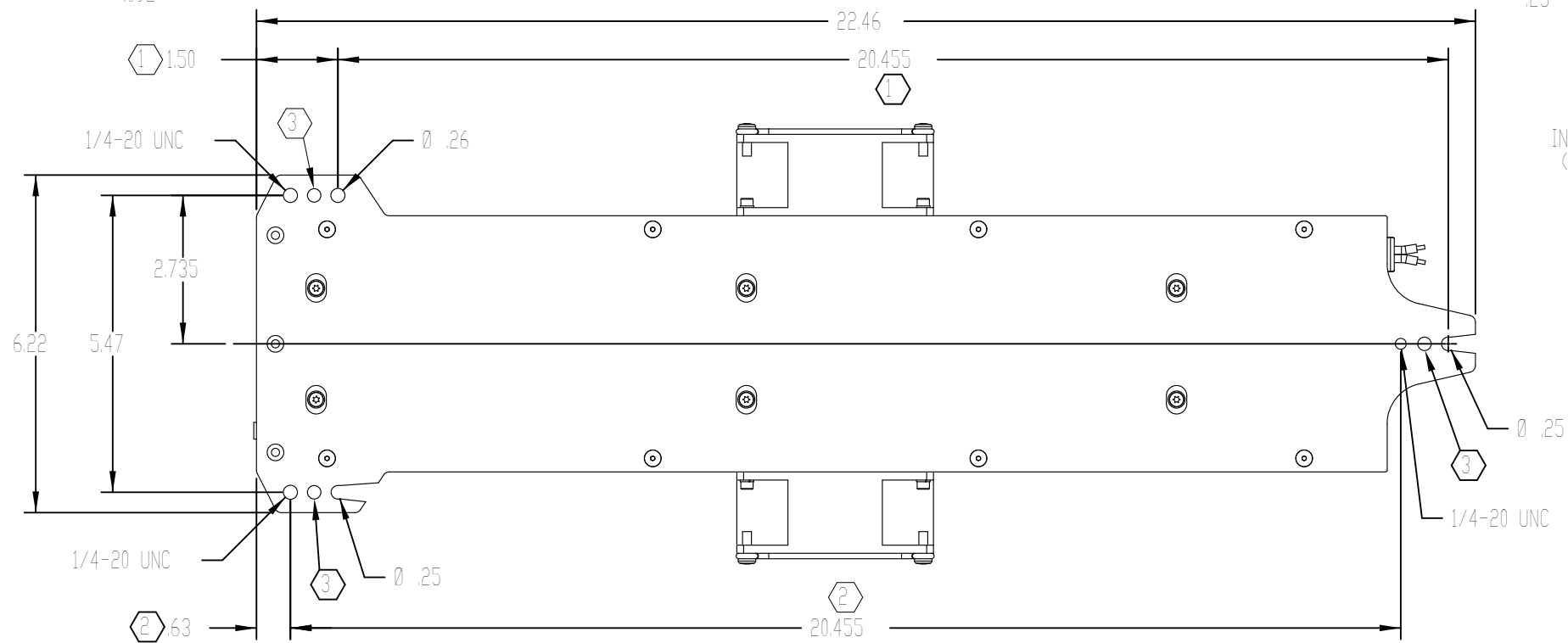


REV	ECO	DATE	DESCRIPTION	DB
A	4107	9-Sep-09	RELEASE TO PRODUCTION	DMD
.
.



6X 8-32 ACCESSORY MOUNTING HOLES. SCREWS SHOULD NOT EXTEND MORE THAN .19 INTO FACE PLATE



NOTES:

- ① THIS MOUNTING HOLE PATTERN USED WHEN TOP ACCESS FASTENING DESIRED.
- ② THIS MOUNTING HOLE PATTERN USED WHEN BOTTOM ACCESS FASTENING DESIRED.
- ③ HARDENED BALL MOUNTING POINT, 3X (Ø.250 STEEL BALL).
- ④ BEAM PATH MAY NOT BE CENTERED OR PERPENDICULAR TO FACEPLATE APERTURE.

TOLERANCES UNLESS NOTED:		PROPRIETARY THIS DRAWING IS PROPRIETARY TO SYNRAD INC. AND SHALL NOT BE USED OR DISCLOSED IN WHOLE OR IN PART WITHOUT WRITTEN PERMISSION OF SYNRAD INC.	
.x = ± 0.1	ANGLE = ± 2.0 °	SYNRAD INC. 4600 Campus Place Mukilteo, WA 98275 Phone: (425)349-3500 Fax: (425)349-3667	
.xx = ± 0.03			
.xxx = ± 0.005			
MATERIAL:		DESCRIPTION: OUTLINE & MOUNTING, FAN COOLED, T70i	
FINISH:		PART NUMBER: 300-19745-02	DWG/FILE NUMBER: 300-19745-02
		SHEET 1 of 1	ENG: .
		UNITS: Inches	CATEGORY: .
		SIZE: B	FINISH CLASS: .
		DRAWN BY: D. DUVAL	DATE: 17-Sep-08
		CHECKED BY: .	DATE: .
		APPROVED BY: .	DATE: .