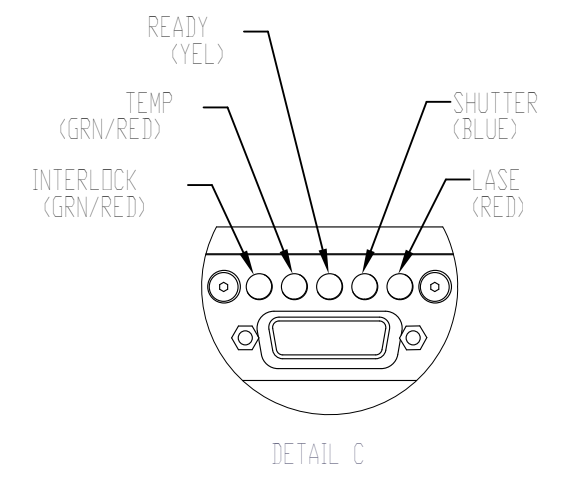
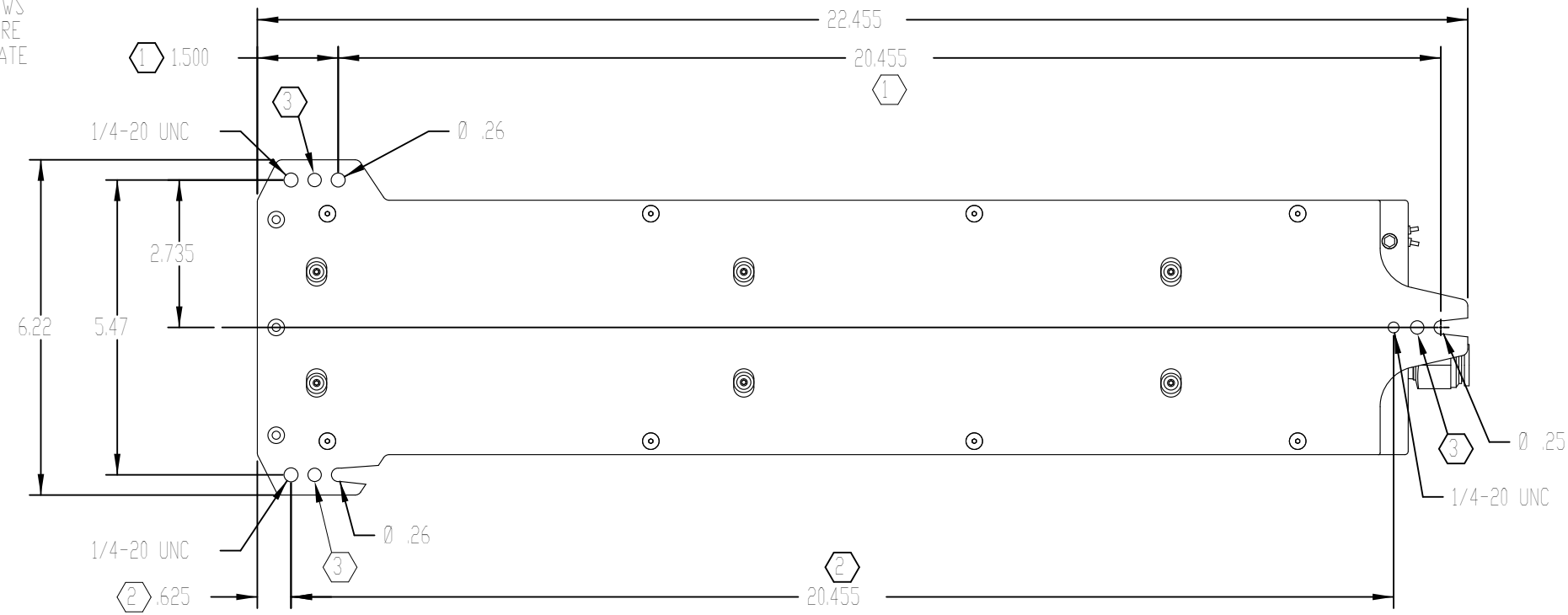
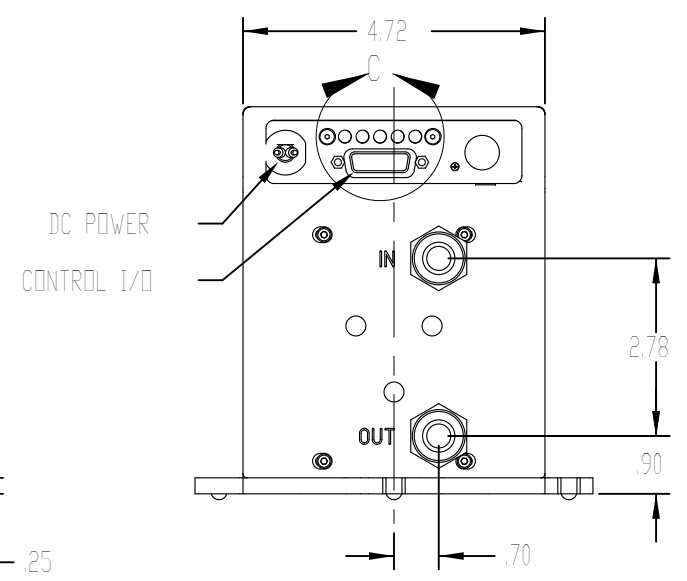
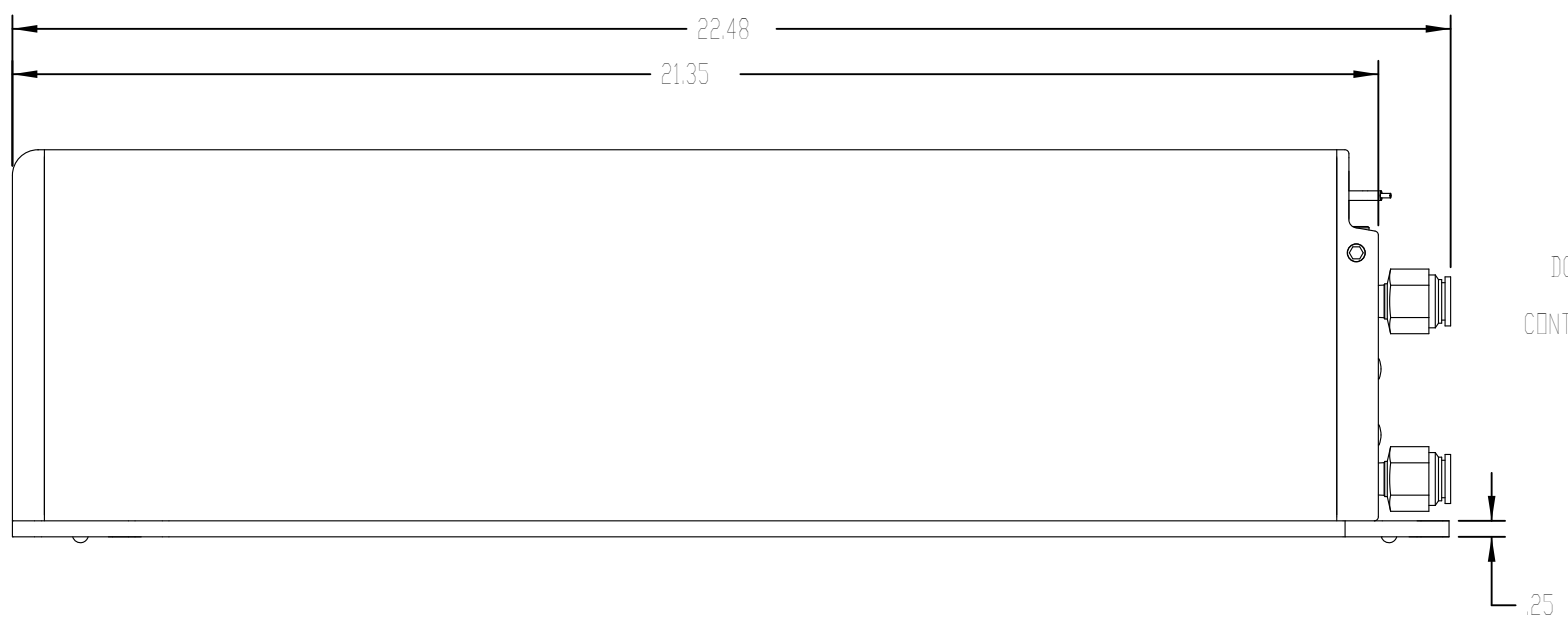
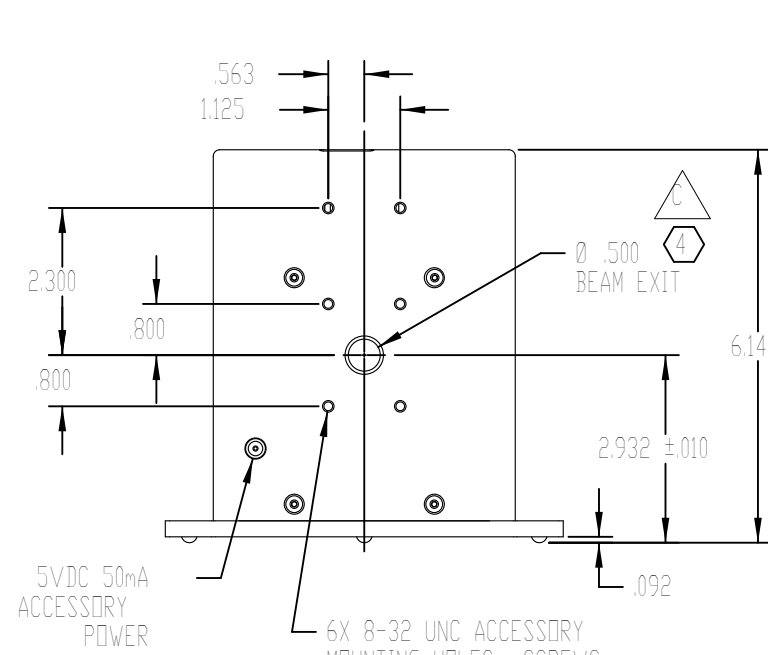


REV	ECD	DATE	DESCRIPTION	DB
B	3912	12-Aug-08	ADD BEAM EXIT Ø	DMD
C	4107	9-Sep-09	ADD NOTE 4	DMD



- NOTES:
- ① THIS MOUNTING HOLE PATTERN USED WHEN TOP ACCESS FASTENING DESIRED.
  - ② THIS MOUNTING HOLE PATTERN USED WHEN BOTTOM ACCESS FASTENING DESIRED.
  - ③ HARDENED BALL MOUNTING POINT, 3X ( Ø .250 STEEL BALL)
  - ④ BEAM PATH MAY NOT BE CENTERED OR PERPENDICULAR TO FACEPLATE APERTURE

TOLERANCES UNLESS NOTED:	
.x = ±0.1	ANGLE = ± 0.5 °
.xx = ± 0.01	
.xxx = ± 0.005	
MATERIAL:	
FINISH:	

PROPRIETARY  
THIS DRAWING IS PROPRIETARY TO  
SYNRAD INC. AND SHALL NOT BE  
USED OR DISCLOSED IN WHOLE  
OR IN PART WITHOUT WRITTEN  
PERMISSION OF SYNRAD INC.

DESCRIPTION:  
OUTLINE & MOUNTING, WATER COOLED T70i, OEM

PART NUMBER: 300-19746-01

SHEET 1 of 1

UNITS: Inches

SIZE: B

	SYNRAD INC. 4600 Campus Place Mukilteo, WA 98275 Phone: (425)349-3500 Fax: (425)349-3667		
	DESCRIPTION: OUTLINE & MOUNTING, WATER COOLED T70i, OEM	PART NUMBER: 300-19746-01	DWG/FILE NUMBER: 300-19746-01
DRAWN BY: RLS	DATE: 06-28-07	CHECKED BY: 	DATE: 
APPROVED BY: 	DATE: 		