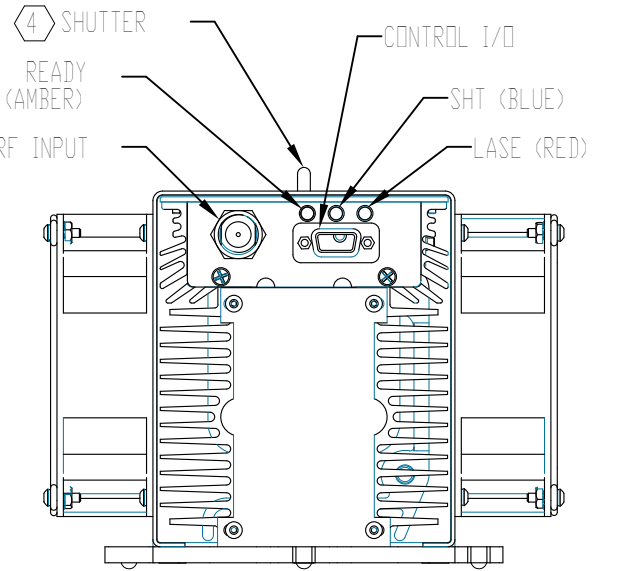
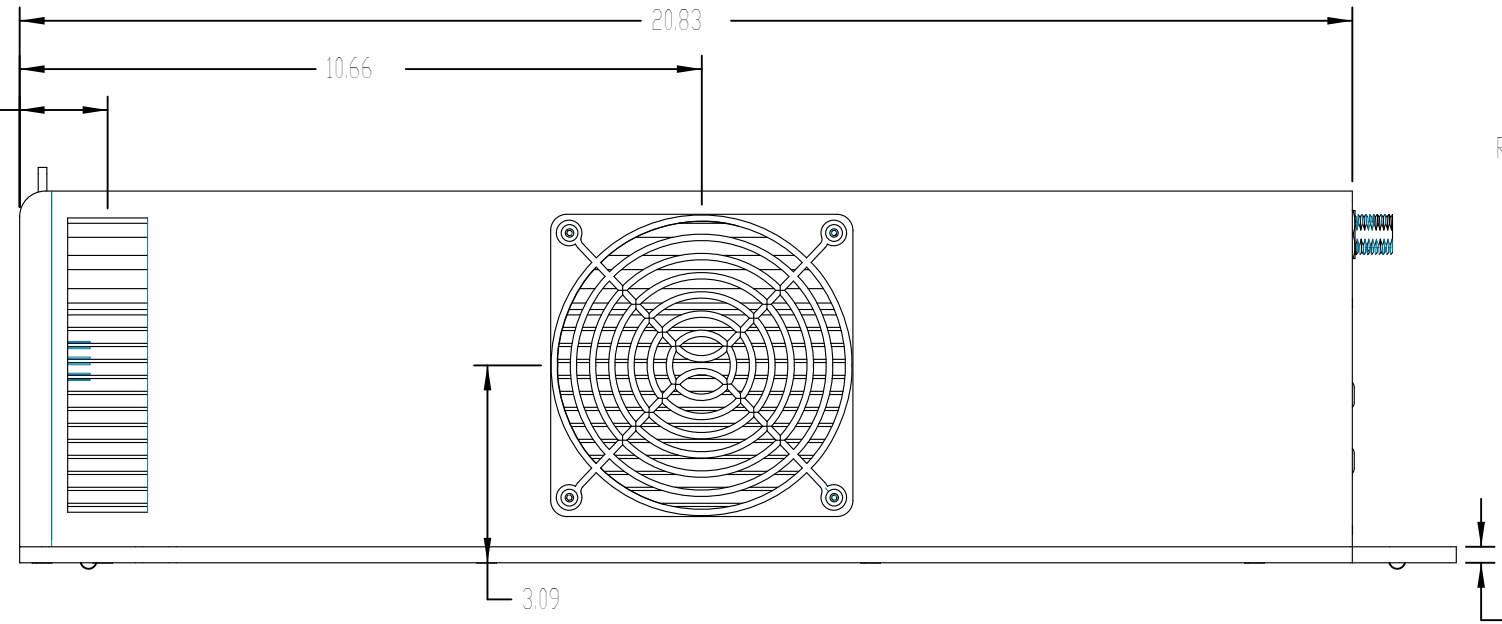
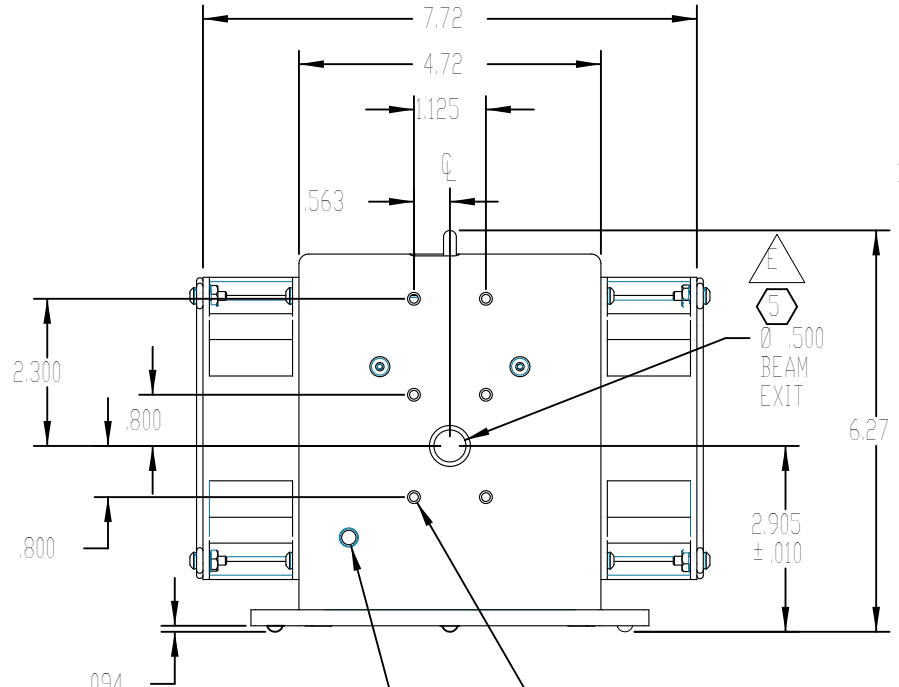


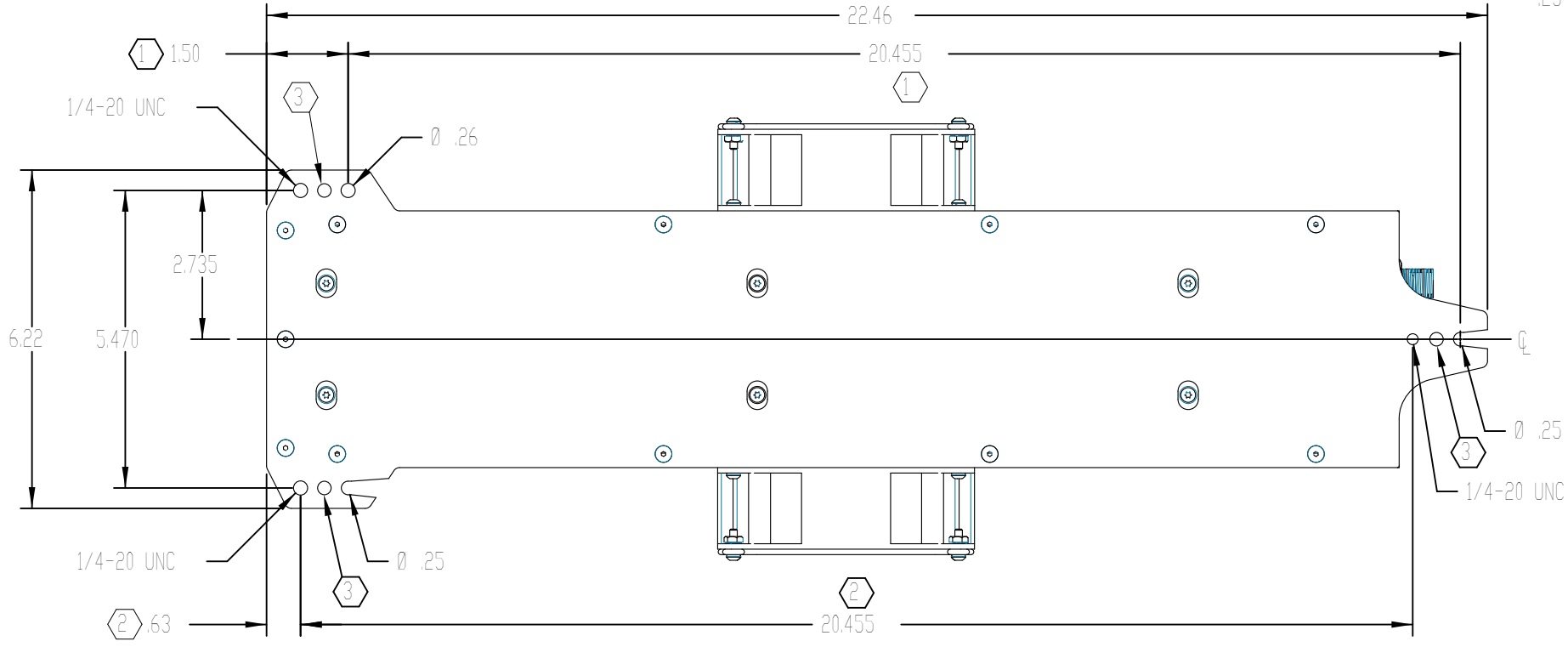
REV	ECO	DATE	DESCRIPTION	DB
D	3912	12-Aug-08	ADD BEAM EXIT, CONVERT TO SOLIDWORKS	DMD
E	4107	9-Sep-09	ADD NOTE 5	DMD



5VDC
ACCESSORY
POWER

6X 8-32 ACCESSORY MOUNTING HOLES. SCREWS SHOULD NOT EXTEND MORE THAN .19 INTO FACE PLATE

PART NUMBER	MODEL
FST100KF	KEY
FST100SF	DEM
FST80KF	KEY
FST80SF	DEM



- NOTES:
- ① THIS MOUNTING HOLE PATTERN USED WHEN TOP ACCESS FASTENING DESIRED.
 - ② THIS MOUNTING PATTERN USED WHEN BOTTOM ACCESS FASTENING DESIRED.
 - ③ HARDENED BALL MOUNTING POINT, 3X. (Ø.250 BALL BEARING)
 - ④ KEYSWITCH VERSION ONLY.
 - ⑤ BEAM PATH MAY NOT BE CENTERED OR PERPENDICULAR TO FACEPLATE APERTURE.

TOLERANCES UNLESS NOTED:	
.x = ±0.1	ANGLE = ± 2.0 °
.xx = ± 0.03	
.xxx = ± 0.005	
MATERIAL:	
FINISH:	

PROPRIETARY
THIS DRAWING IS PROPRIETARY TO
SYNRAD INC. AND SHALL NOT BE
USED OR DISCLOSED IN WHOLE
OR IN PART WITHOUT WRITTEN
PERMISSION OF SYNRAD INC.

DESCRIPTION:
OUTLINE & MOUNTING, FAN-COOLED, T80 & T100

SYNRAD	SYNRAD INC. 4600 Campus Place Mukilteo, WA 98275 Phone: (425)349-3500 Fax: (425)349-3667		
	DESCRIPTION: OUTLINE & MOUNTING, FAN-COOLED, T80 & T100		
PART NUMBER:	SEE TABLE	DWG/FILE NUMBER:	300-19044-01
SHEET 1 of 1	ENG:	DRAWN BY:	C. B. MILLER
UNITS: Inches	CATEGORY:	CHECKED BY:	DATE:
SIZE: B	FINISH CLASS:	APPROVED BY:	DATE: