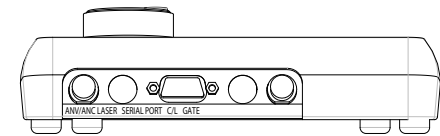
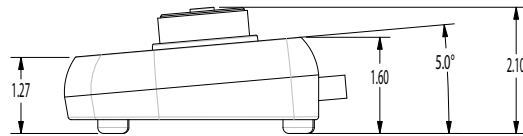
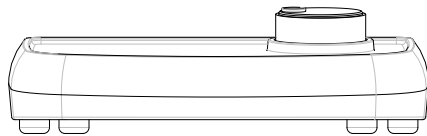
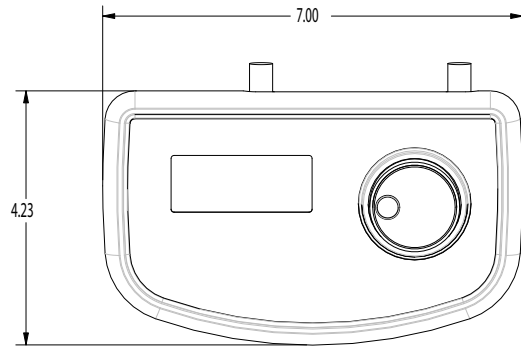



REV	ECO	DATE	DESCRIPTION	DB
A	1507	29-Sep-99	RELEASED TO PRODUCTION	DH



Pro/E

TOLERANCES UNLESS NOTED:		PROPRIETARY		SYNRAD INC.	
.X = ±	0.1	ANGLE = ±	2.0 °	 6500 Harbour Heights Pkwy Mukiteo, WA 98275 Phone: (425)349-3500 Fax: (425)485-4882	
.XX = ±	0.01				
.XXX = ±	0.005				
MATERIAL:				DESCRIPTION:	
				OUTLINE AND MOUNTING, UC-2000	
FINISH:		PART NUMBER:	95-018128-01	DWG/FILE NUMBER:	300-18128-01
		SHEET	1 OF 1	DR:	
		DRAWN BY:	D. Hagan	DATE:	29-Sep-99
		UNITS:	INCHES	CHECKED BY:	
		SIZE:	B	APPROVED BY:	
		FINISH CLASS:	A	DATE:	