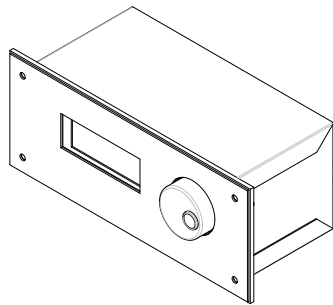
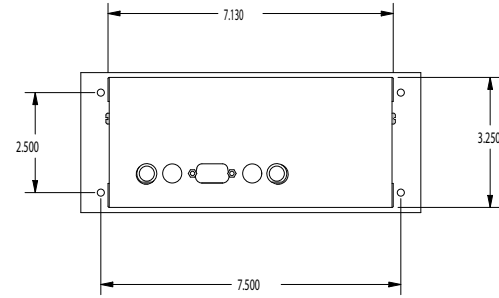
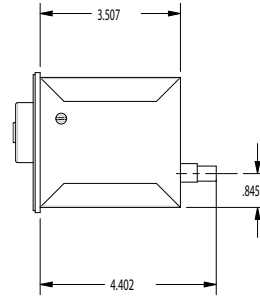
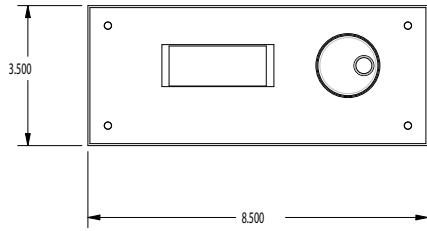
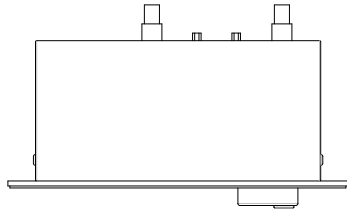



REV	ECO	DATE	DESCRIPTION	DB
A	1589	12-Jan-01	RELEASE TO PRODUCTION	DH



Pro/E

TOLERANCES UNLESS NOTED:		PROPRIETARY THIS DRAWING IS PROPRIETARY TO SYNRAD INC. AND SHALL NOT BE USED OR DISCLOSED IN WHOLE OR IN PART WITHOUT WRITTEN PERMISSION OF SYNRAD INC.	 SYNRAD INC. 6500 Harbour Heights Pkwy Mukilteo, WA 98275 Phone: (425)349-3500 Fax: (425)485-4882		
.X = ±	0.1		ANGLE = ±	2.0 °	
.XX = ±	0.01				
.XXX = ±	0.005				
MATERIAL:		DESCRIPTION: OUTLINE & MOUNTING, UC-2000 PANEL MOUNT			
FINISH:		PART NUMBER: 95-018128-02	DWG/FILE NUMBER: 300-18128-02		
SHEET	1 OF 1	DR: pdmdb	DRAWN BY: RLS	DATE: 10-Nov-00	
UNITS:	INCHES	CATEGORY:	CHECKED BY:	DATE:	
SIZE:	B	FINISH CLASS: A	APPROVED BY:	DATE:	