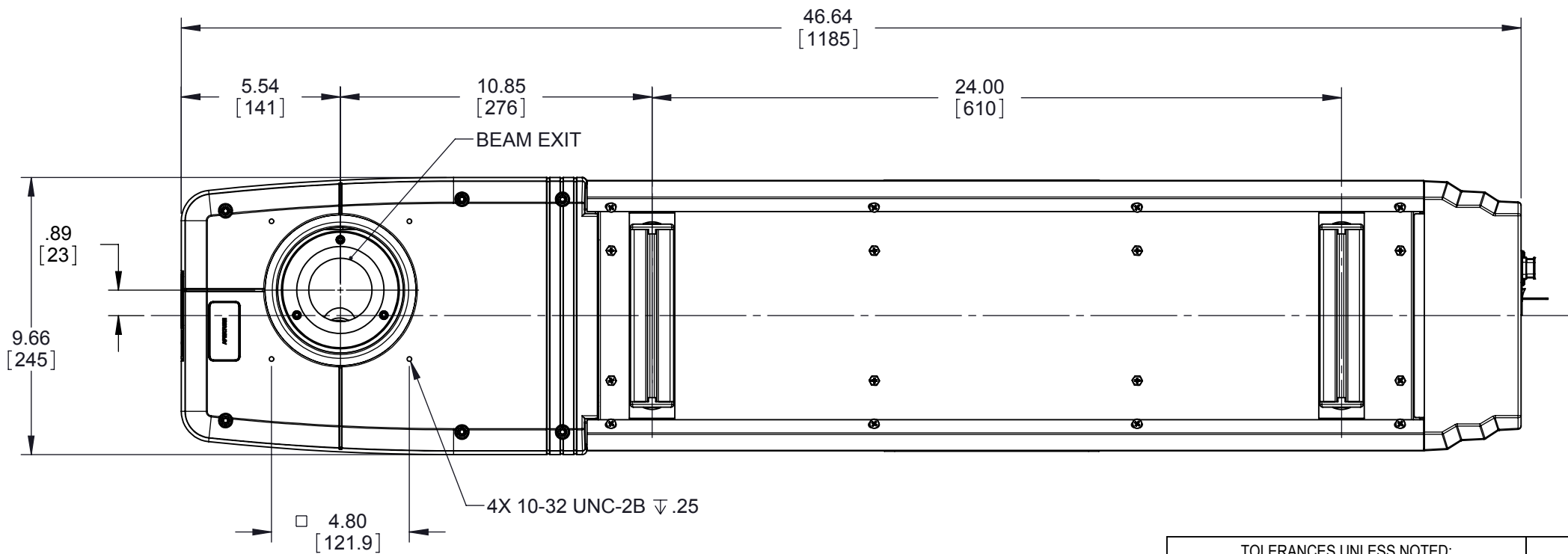
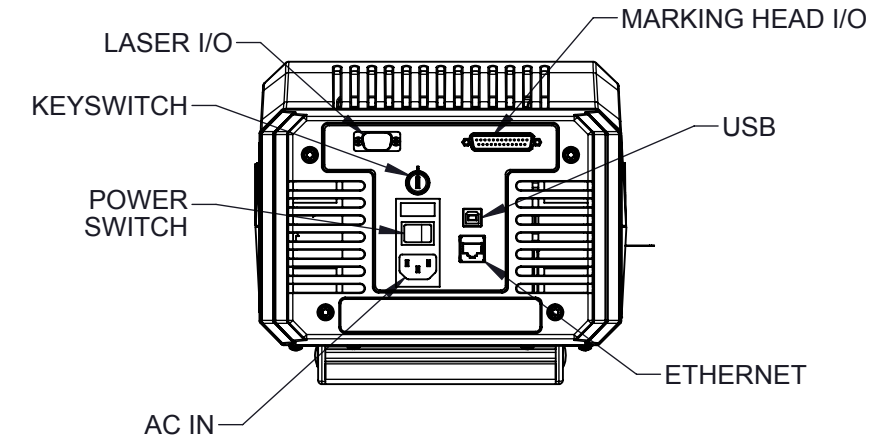
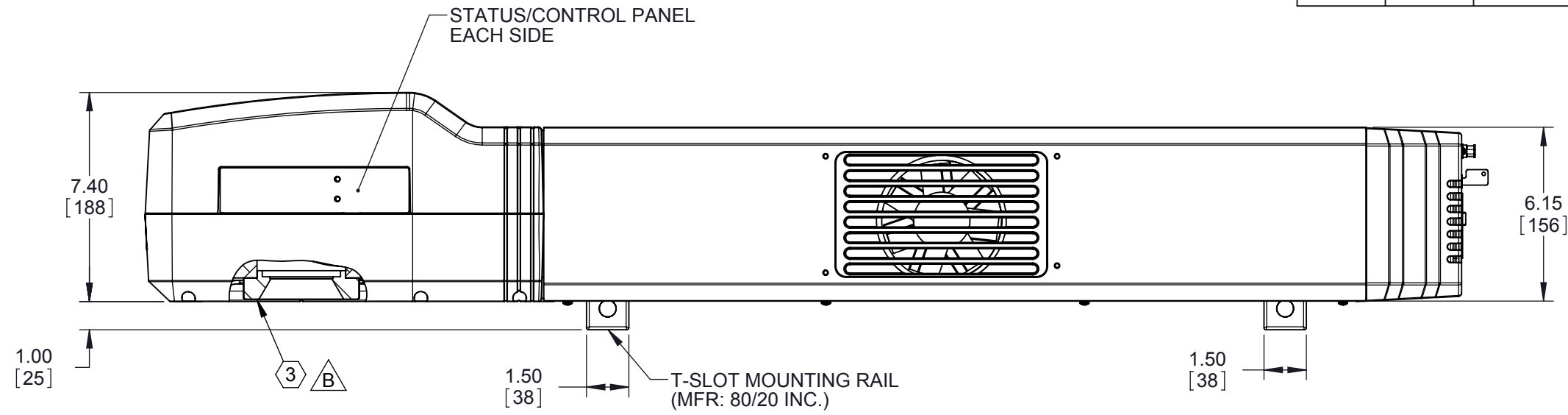


REV	ECO	DATE	DESCRIPTION	DB
A	3567	08-29-07	RELEASED TO PRODUCTION	RLS
B	4207	27-Apr-10	ADD NOTE 3	DMD




PART NUMBER
FENIX-FLYER-125
FENIX-FLYER-200
FENIX-FLYER-370
FENIX-FLYER-80
FENIX-FLYER-U

NOTES:

1. WEIGHT: 72 POUNDS [33 Kgs].
2. DIMENSION IN BRACKETS [] ARE MILLIMETERS

∇ B ∇ 3 BOTTOM FOCUSING LENS RING IS REFERENCE POINT FOR MEASURING WORKING DISTANCE. THIS POINT IS RECESSED APPROXIMATELY (.086 \pm .01) AND IS NOT FLUSH WITH THE BOTTOM OF THE HOUSING.

TOLERANCES UNLESS NOTED:		PROPRIETARY THIS DRAWING IS PROPRIETARY TO SYNRAD INC. AND SHALL NOT BE USED OR DISCLOSED IN WHOLE OR IN PART WITHOUT WRITTEN PERMISSION OF SYNRAD INC.		 SYNRAD INC. 4600 Campus Place Mukilteo, WA 98275 Phone: (425)349-3500 Fax: (425)349-3667	
.x = \pm 0.1	ANGLE = \pm 0.5 °				
.xx = \pm 0.03					
.xxx = \pm 0.010		DESCRIPTION: OUTLINE & MOUNTING - FENIX FLYER			
MATERIAL: SEE BOM		PART NUMBER: SEE TABLE	DWG/FILE NUMBER: 300-19681-01		
FINISH: NONE		SHEET 1 of 1	ENG: RLS	DRAWN BY: RLS	DATE: 08-29-07
		UNITS: Inches	CATEGORY: I	CHECKED BY:	DATE:
		SIZE: B	FINISH CLASS: A	APPROVED BY:	DATE: