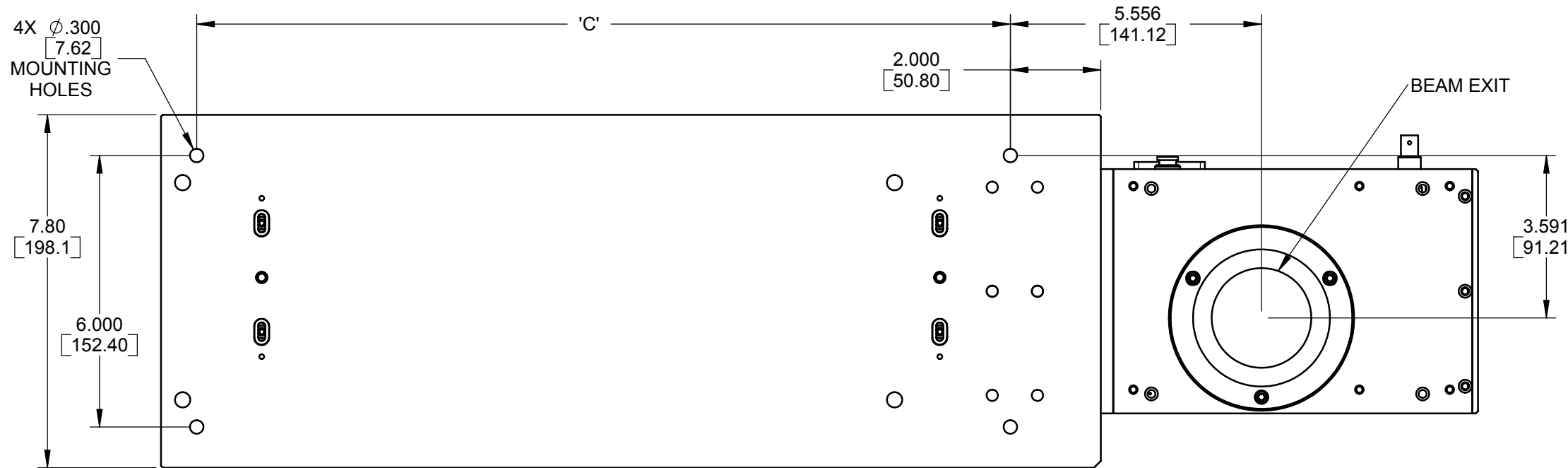
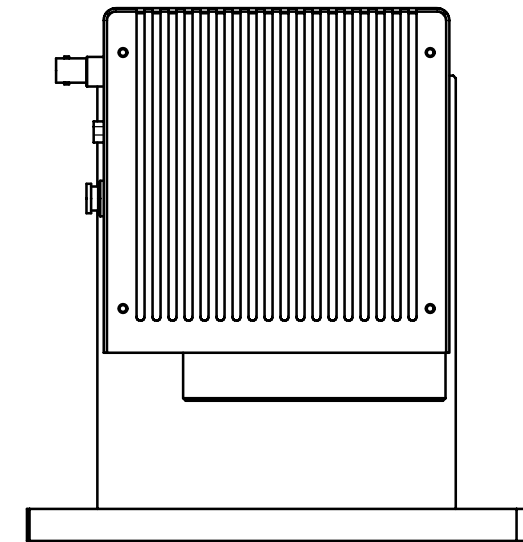
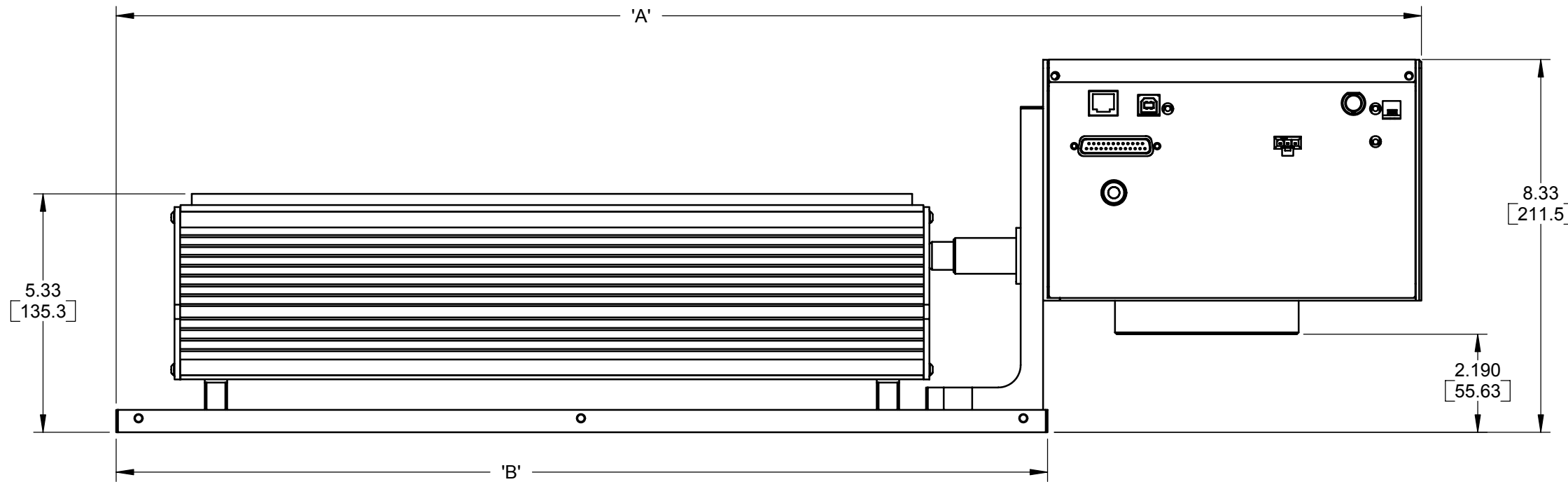


REV	ECO	DATE	DESCRIPTION	DB
A	3575	30-Aug-07	RELEASED TO PRODUCTION	RLS



- NOTES:
1. DIMENSIONS IN BRACKETS [] ARE MILLIMETERS.
 2. SEE CHART FOR 'A', 'B' & 'C' DIMENSIONS.
 3. 48-1 WATER AND AIR (NON-FAN) WILL MOUNT TO A 48-2 RAIL.
 4. SHEET 2 SHOWS AIR-COOLED UNIT WITH OPTIONAL FAN SHROUD.

PART NUMBER	DESC.	DIM 'A'	DIM 'B'	DIM 'C'	SHEET
230-19674-01	48-1	29.14 [740.1mm]	20.79 [528.1mm]	18.000 [457.20mm]	1
230-19674-02	48-1 w/FANS	29.19 [741.4mm]	20.79 [528.1mm]	18.000 [457.20mm]	2
230-19674-04	48-2	43.45 [1103.7mm]	34.79 [883.7mm]	24.000 [609.60mm]	1
230-19674-05	48-2 w/FANS	43.45 [1103.7mm]	34.79 [883.7mm]	24.000 [609.60mm]	2

TOLERANCES UNLESS NOTED:

.x = ± 0.1	ANGLE = ± 0.5 °
.xx = ± 0.01	
.xxx = ± 0.005	
MATERIAL:	
FINISH:	

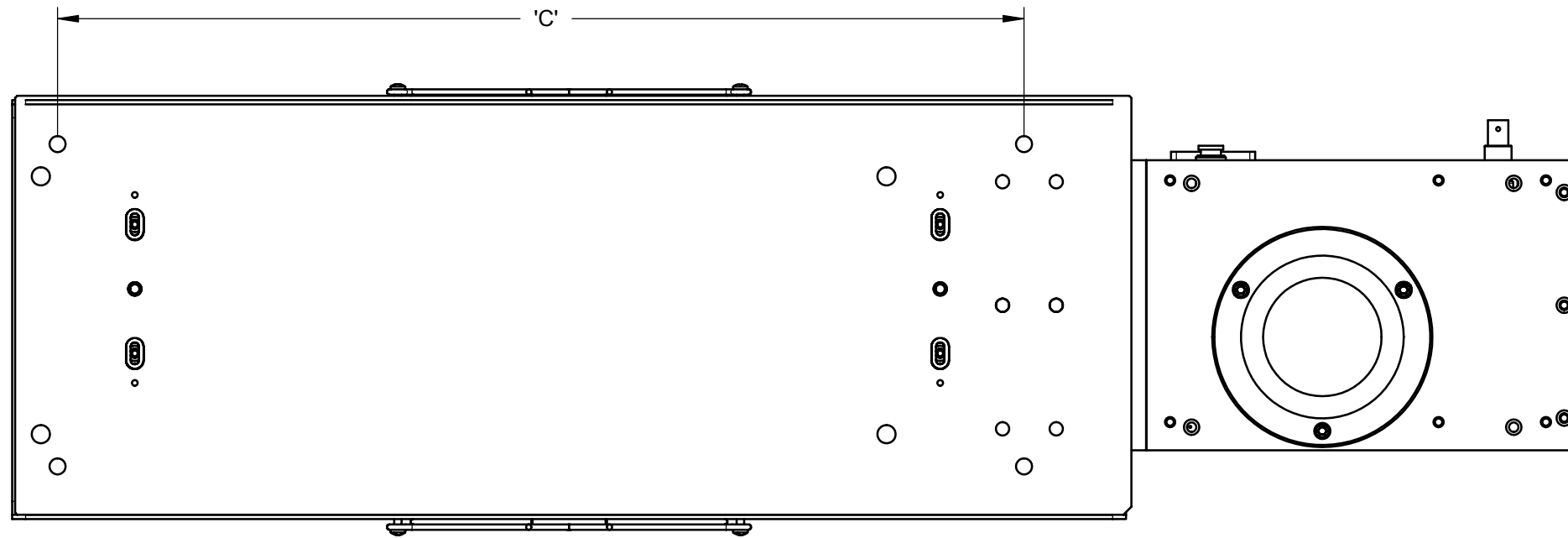
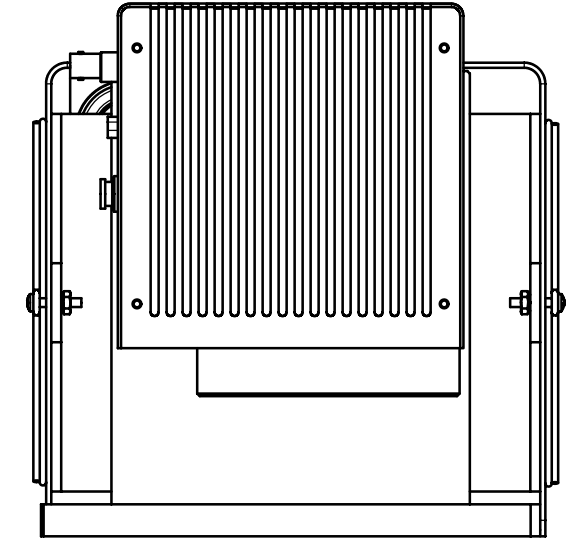
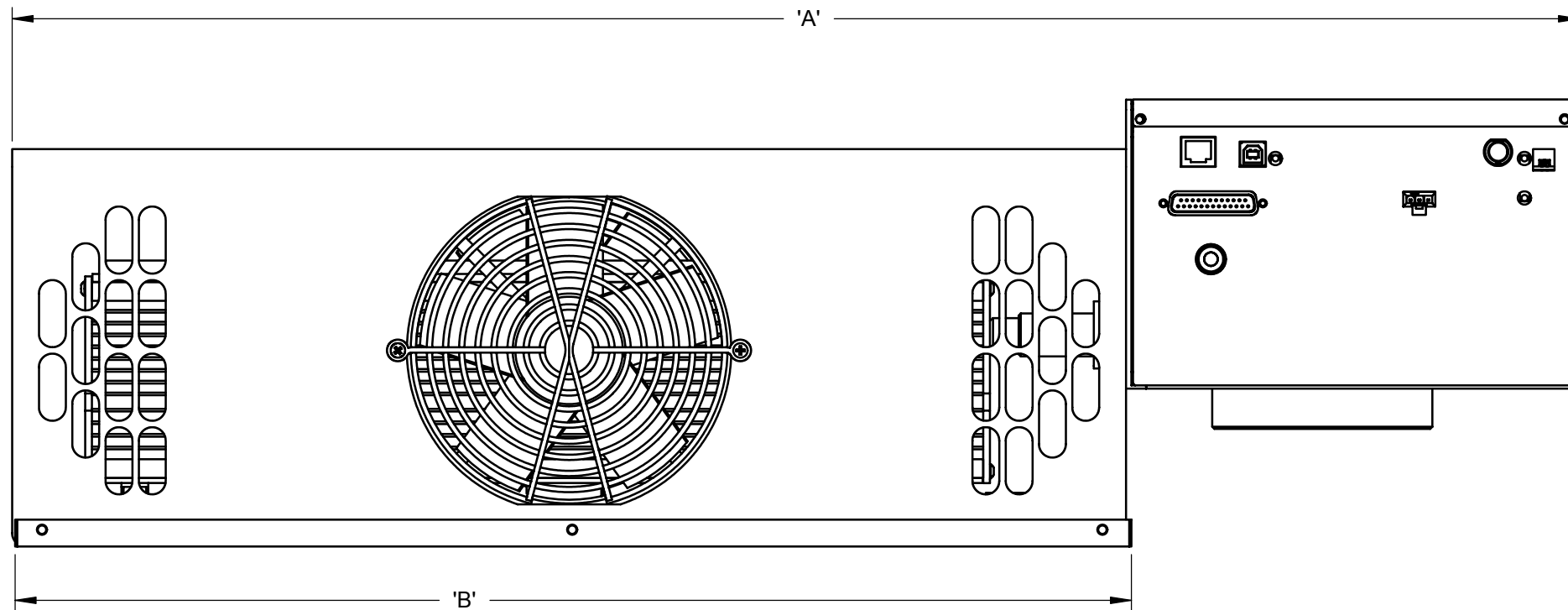
PROPRIETARY
THIS DRAWING IS PROPRIETARY TO
SYNRAD INC. AND SHALL NOT BE
USED OR DISCLOSED IN WHOLE
OR IN PART WITHOUT WRITTEN
PERMISSION OF SYNRAD INC.




SYNRAD INC.
4600 Campus Place
Mukilteo, WA 98275
Phone: (425)349-3500
Fax: (425)349-3667

DESCRIPTION: OUTLINE & MOUNTING - FLYER, 48-1/48-2			
PART NUMBER:	300-19676-10	DWG/FILE NUMBER:	300-19676-10
SHEET 1 of 2	ENG: RLS	DRAWN BY: K. JOHNSON	DATE: 01-Jun-07
UNITS: Inches	CATEGORY: I	CHECKED BY:	DATE:
SIZE: B	FINISH CLASS: A	APPROVED BY:	DATE:

REV	ECO	DATE	DESCRIPTION	DB
A	3575	30-Aug-07	RELEASED TO PRODUCTION	RLS



TOLERANCES UNLESS NOTED:		PROPRIETARY THIS DRAWING IS PROPRIETARY TO SYNRAD INC. AND SHALL NOT BE USED OR DISCLOSED IN WHOLE OR IN PART WITHOUT WRITTEN PERMISSION OF SYNRAD INC.		 SYNRAD INC. 4600 Campus Place Mukilteo, WA 98275 Phone: (425)349-3500 Fax: (425)349-3667	
.x = ± 0.1	ANGLE = ± 0.5 °				
.xx = ± 0.01					
.xxx = ± 0.005		DESCRIPTION: OUTLINE & MOUNTING - FLYER, 48-1/48-2			
MATERIAL:		PART NUMBER: 300-19676-10	DWG/FILE NUMBER: 300-19676-10		
FINISH:		SHEET 2 of 2	ENG: RLS	DRAWN BY: K. JOHNSON	
		UNITS: Inches	CATEGORY: I	CHECKED BY:	
		SIZE: B	FINISH CLASS: A	APPROVED BY:	
				DATE: 01-Jun-07	
				DATE:	
				DATE:	