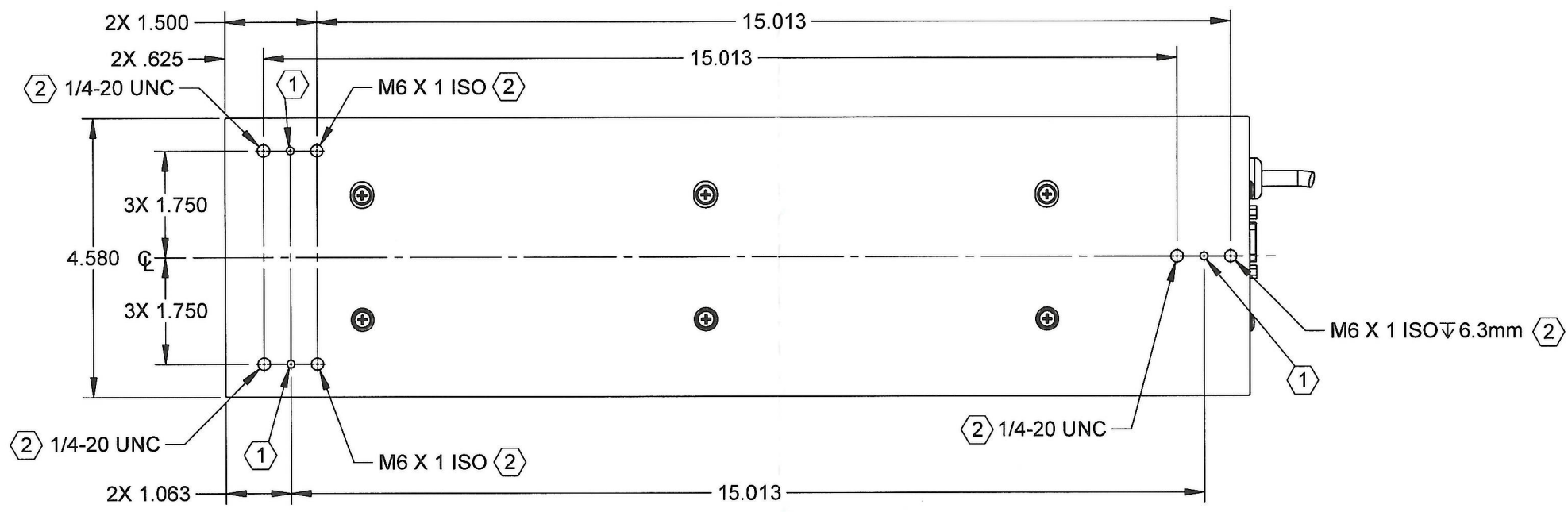
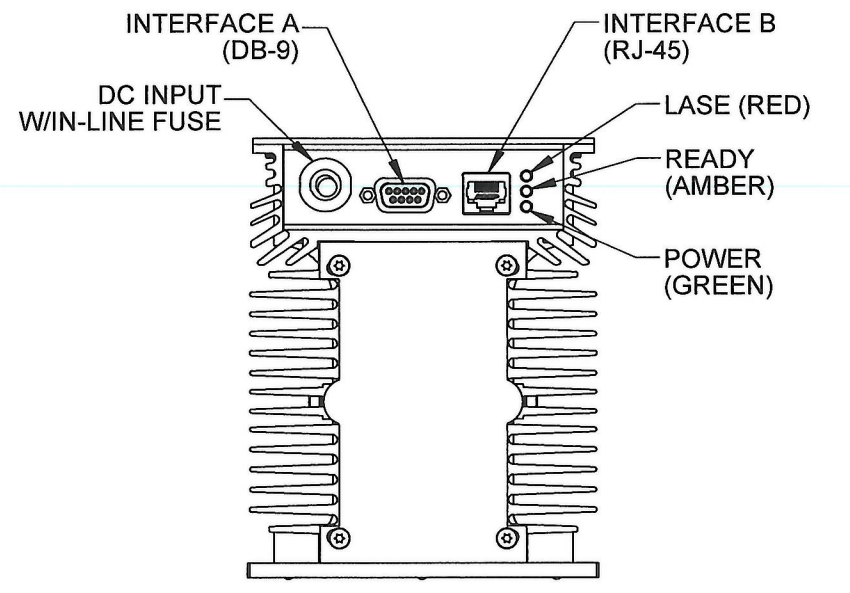
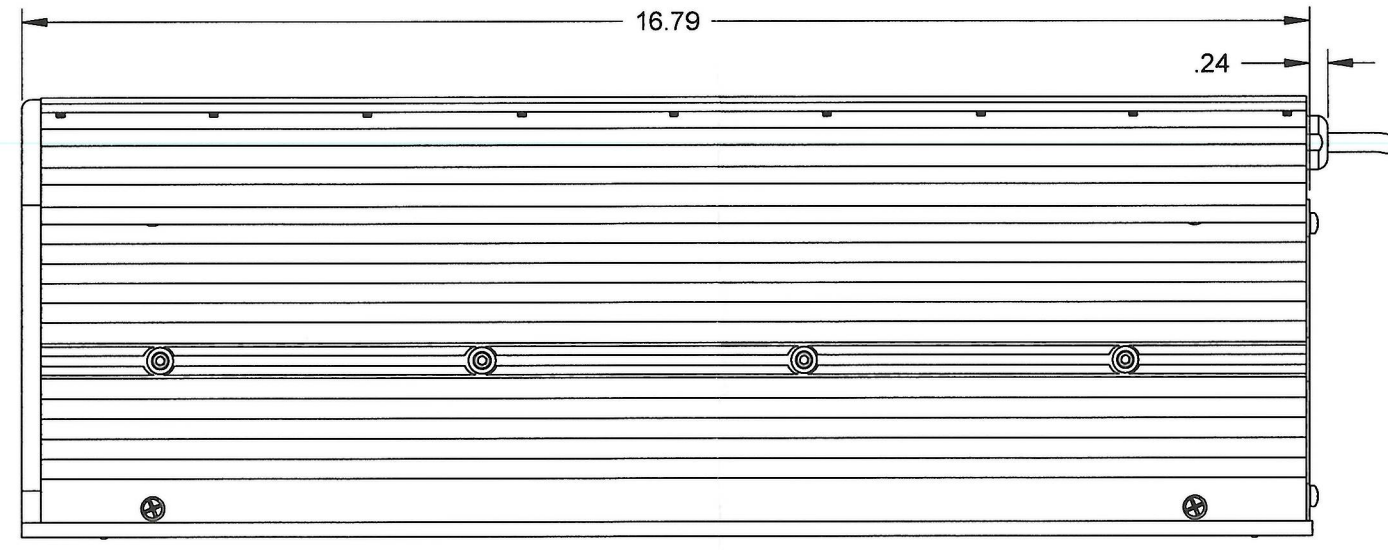
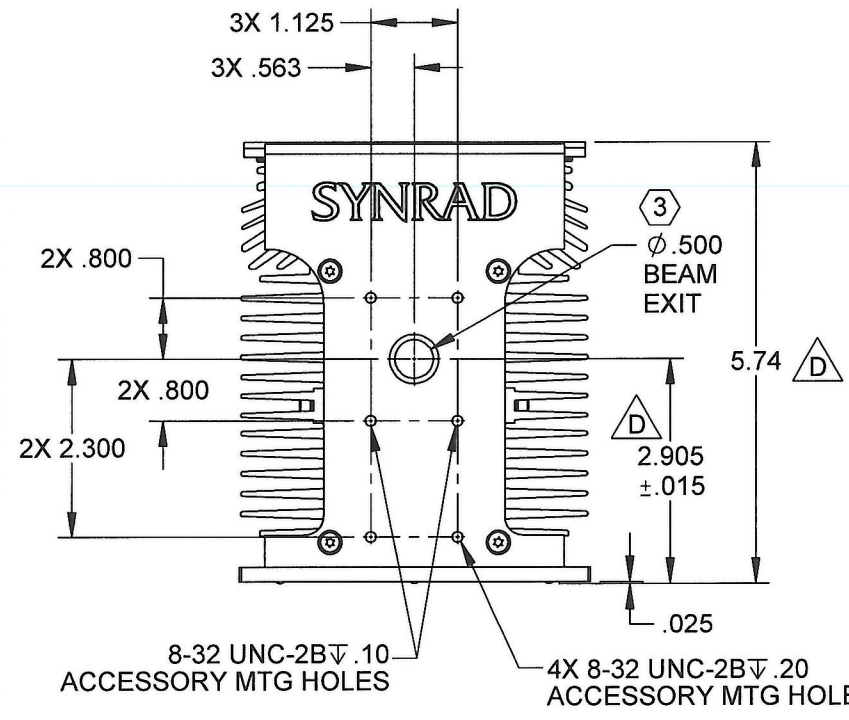


REV	DA	ECN	ECO	DATE	DESCRIPTION	DB
B	.	.	3912	8-Aug-08	ADD BEAM EXIT Ø, CONVERT TO SOLIDWORKS	DMD
C	.	.	4107	9-Sep-09	ADD NOTE 3	DMD
D	.	10678	5908	24-May-18	UPDATE TO SHOW CURRENT LASER, UPDATE HEIGHT DIM & BEAM EXIT TOL.	DMD



- NOTES:
- ① HARDENED BALL MOUNTING POINT, 3X (Ø.1875 BALL BEARING).
 - ② THIS MOUNTING HOLE PATTERN USED FOR BOTTOM ACCESS FASTENING.
 - ③ BEAM PATH MAY NOT BE CENTERED OR PERPENDICULAR TO FACEPLATE APERTURE.

TOLERANCES UNLESS NOTED:		PROPRIETARY: THIS DRAWING IS PROPRIETARY TO SYNRAD, A NOVANTA COMPANY, AND SHALL NOT BE USED OR DISCLOSED IN WHOLE OR IN PART WITHOUT WRITTEN PERMISSION FROM SYNRAD AND/OR NOVANTA. THIRD ANGLE PROJECTION 	 SYNRAD A Novanta Company 4600 Campus Place Mukilteo, WA 98275 Phone: (425)349-3500 Fax: (425)349-3667			
.X = ± .1	ANGLE = ±2.0°					
.XX = ± .01						
.XXX = ± .005						
MATERIAL:		DESCRIPTION: OUTLINE & MOUNTING, AIR-COOLED V30, OEM				
SURFACE TEXTURE: N/A		DRAWN BY: T. AULT QLTY CHK BY: <i>KKerker</i> ENG CHK BY: <i>Talvis</i> APPROVED BY: <i>DD</i>	DATE: 05-Jun-03 DATE: 5-29-18 DATE: 5/29/18	DWG/FILE NUMBER: 300-18965-01 PART NUMBER: 300-18965-01	SIZE: B CATEGORY: FINISH CLASS:	REV. D