

Expected Implementation Date: 26 October, 2018

Description of Change: f201 Water Fittings change from 1/2" to 12mm (Metric).

As part of our commitment to quality, Synrad has changed water fittings on the f201 laser. In internal tests we have found that the two 1/2" fittings ("WATER IN" and "WATER OUT") on the rear manifold are not compatible with standard tubing and can result in a water leak. To resolve this, and align this laser with the other mid-power lasers, we have changed these fittings to improved 12mm fittings. These new 12mm fittings satisfy our strict requirements and pressure testing.

The tubing included with the laser has changed to 12mm (P/N 801-00013-01) and the adaptor kit has changed to a Metric Adaptor Kit (P/N: 250-19536-02).

Included in this new kit is:

12mm to 12mm right angle adaptors (quantity 2)

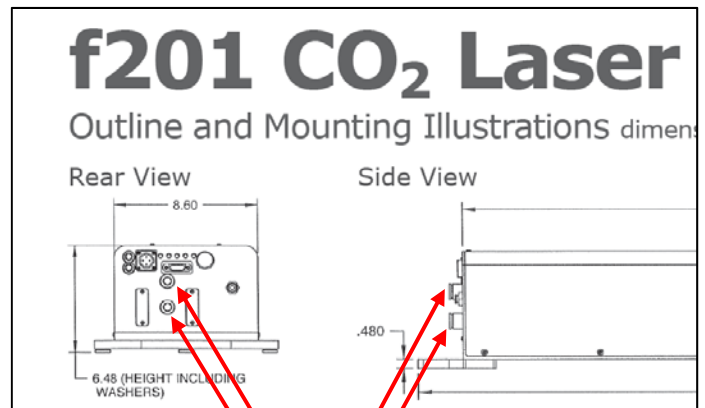
12mm to 1/2" straight adaptors (quantity 2)

These adaptors may be used independently or together to allow right angle or straight applications for either 12mm or 1/2" tubing.

We apologize for any inconvenience this has caused. Please contact us if you have any further questions or concerns.



250-19536-02 Metric Adaptor Kit



12mm hose fittings

Change to Laser